

# CRAFTSMAN®

OPERATOR'S MANUAL | MANUAL DEL OPERARIO

## Electric Pressure Washer Hidrolavadora eléctrica

Not for  
Reproduction

**CMXGWA020727**



IF YOU HAVE ANY QUESTIONS OR COMMENTS, CONTACT US.  
SI TIENE ALGUNA PREGUNTA O COMENTARIO, CONTÁCTENOS.

**1-888-331-4569**

**WWW.CRAFTSMAN.COM**

Copyright © 2018. Briggs & Stratton Corporation

Milwaukee, WI, USA. All rights reserved. Reservados todos los derechos.

CRAFTSMAN® is a registered trademark of Stanley Black & Decker, Inc., used under license.

CRAFTSMAN® es una marca registrada de Stanley Black & Decker, Inc., usa abajo licencia.

Manual No. 80029108 Revision A

**Thank you** for purchasing this quality-built Craftsman® electric pressure washer. We are pleased that you've placed your confidence in the Craftsman brand. When operated and maintained according to the instructions in this manual, your Craftsman electric pressure washer will provide many years of dependable service.

**This manual contains** safety information to make you aware of the hazards and risks associated with electric pressure washers and how to avoid them. Because Craftsman does not necessarily know all the applications this electric pressure washer could be used for, it is important that you read and understand these instructions thoroughly before attempting to start or operate this equipment. **Save these original instructions for future reference.**

**This electric pressure washer requires final assembly before use.** Refer to the *Assembly* section of this manual for instructions on final assembly procedures. Follow the instructions completely.

## Where to Find Us

You never have to look far to find Craftsman support and service for your electric pressure washer. There are many Craftsman authorized service dealers worldwide who provide quality service. You can also contact Craftsman Customer Service by phone at **(888) 331-4569**, or on the Internet at Craftsman.com.

### Electric Pressure Washer

Model Number \_\_\_\_\_

Revision \_\_\_\_\_

Serial Number \_\_\_\_\_

**Date Purchased** \_\_\_\_\_

### Register Your Product

To ensure prompt and complete warranty coverage, register your product online at [Craftsman.com/registration](http://Craftsman.com/registration).


## Table of Contents

Operator Safety . . . . .	3
Assembly . . . . .	6
Features and Controls . . . . .	8
Operation . . . . .	9
Maintenance . . . . .	12
Storage . . . . .	13
Troubleshooting . . . . .	14
Specifications . . . . .	14
Warranty . . . . .	15

# Operator Safety

## SAVE THESE INSTRUCTIONS

### Equipment Description

 **WARNING** Failure to read and follow the operator's manual and all operating instructions before using could result in death or serious injury.



- Read this manual carefully and become familiar with your electric pressure washer. Know its applications, its limitations, and any hazards involved.

Every effort has been made to ensure that the information in this manual is accurate and current. However, we reserve the right to change, alter, or otherwise improve the product and this document at any time without prior notice.

### POWERflow+ Technology

POWERflow+ Technology is a deep cleaning pressure washer with both high pressure to lift dirt AND high flow to easily wash it away. In the high flow mode, POWERflow+ Technology enhances the cleaning experience by providing extended reach, power soaping, and faster rinsing capabilities.

The force behind POWERflow+ is in the pump with two separate cleaning modes: high pressure and high flow. The high-pressure mode delivers up to 2000 PSI (pounds square inch) and is ideal for cleaning the toughest stains, mildew and grime from decks, driveways and siding, while the high-flow mode delivers up to 3.5 GPM (gallons per minute) to power-rinse away dirt, soap and debris. The high flow mode also makes it the best to use for washing delicate surfaces such as patio furniture, vehicles, and children's outdoor play sets and toys.

POWERflow+ Technology is a system of components working in concert to deliver the high-flow capability. Water is sent from the pump to the specially designed 25 ft. hose and into the custom-engineered POWERflow+ gun with soft grip handle. Water then flows into the exclusive 7-in-1 nozzle that allows user to change from High Pressure to High Flow, without changing nozzle tips, and propels the stream up to 30 ft.

### Ground Fault Circuit Interrupter Protection

This pressure washer is provided with a ground-fault circuit-interrupter (GFCI) built into the plug of the power supply cord. This device provides additional protection from the risk of electric shock. Should replacement of the plug or cord become necessary, use only identical replacement parts that include GFCI protection.

### Automatic Shut-Off

The electric pressure washer is equipped with a sensor that will detect that water flow has stopped when releasing the spray gun trigger. The sensor will cause the motor to shut off for as long as the spray gun trigger is released.

If the motor continues to run when the spray gun trigger is released or locked, DO NOT USE THE MACHINE. Call the electric pressure washer helpline at **(888) 331-4569** for assistance.

**NOTICE** The electric pressure washer is equipped with a main power ON/OFF switch. The switch should always be moved to the OFF position (O) when the electric pressure washer is not being used to prevent possible damage.

### Motor Overload


The electric motor in this electric pressure washer is equipped with an overload protection device (thermostat). This device will automatically shut off the motor if the motor overheats or draws excessive current.

If the overload protection device is tripped, disconnect the power supply by turning the master ON/OFF switch to the OFF (O) position. Let unit cool for 30 minutes. Then turn the master ON/OFF switch to the ON (I) position to resume operation.


### Important Safety Information


Please read and understand this entire manual before attempting to assemble, operate or service the product. Follow the maintenance instructions specified in this manual. If you have any questions regarding the product, please call customer service at **(888) 331-4569**, 8 a.m. - 5 p.m., CST, Monday - Friday.

### Safety Symbols and Meanings

 The safety alert symbol indicates a potential personal injury hazard. A signal word (DANGER, WARNING, or CAUTION) is used with the alert symbol to designate a degree or level of hazard seriousness. A safety symbol may be used to represent the type of hazard. The signal word **NOTICE** indicates information considered important, but not hazard-related.

 **DANGER** indicates a hazard which, if not avoided, *will* result in death or serious injury.

 **WARNING** indicates a hazard which, if not avoided, *could* result in death or serious injury.

 **CAUTION** indicates a hazard which, if not avoided, *could* result in minor or moderate injury.

**NOTICE** indicates information considered important, but not hazard-related.



Read Manual



Electrical Shock



Fire



Slippery Surface



Fall



Fluid Injection




Projectile




Flying Objects





Chemical Burn

 **WARNING** Risk of electrocution. Use of an extension cord could cause electric shock or burn resulting in death or serious injury.



- DO NOT use an extension cord with this electric pressure washer. Your home's electrical circuit receptacle or extension cord may not provide lifesaving ground-fault circuit-interruption protection.

 **WARNING** Risk of electrocution. Contacting both power conductors, at the same time could cause electric shock or burn resulting in death or serious injury.


- Connect only to a properly grounded outlet. DO NOT remove ground pin from plug.
- Inspect cord before each use, DO NOT use if cord is damaged.
- The product is equipped with a ground fault circuit interrupter (GFCI) built into the power cord plug. If replacement of the plug or cord is required, use only identical replacement parts.
- Keep all connections dry and off the ground.
- DO NOT touch plug with wet hands.
- DO NOT run cord through doorways, windows, holes in ceilings, walls, or floors.
- DO NOT walk on cord.
- DO NOT drive over, drag or place objects over cord.
- DO NOT spray near power source.

  **WARNING** Use of electric pressure washer could create puddles and slippery surfaces. Risk of kickback. Spray gun could kickback causing you to fall resulting in death or serious injury.

- Operate the electric pressure washer from a stable surface.
- Do not overreach or stand on unstable support. Keep good footing and balance at all times.
- The cleaning area should have adequate slopes and drainage to reduce the possibility of a fall due to slippery surfaces.
- Be extremely careful if you must use the electric pressure washer from a ladder, scaffolding, or any other similar location.
- Firmly grasp spray gun with both hands when using power spray modes to avoid injury when spray gun kicks back.


  **WARNING** Risk of eye or bodily injury. Spray could splash back, propel objects or cause internal harm resulting in serious injury.

- Always wear indirect vented (chemical splash) safety goggles marked to comply with ANSI Z87.1 when using or in vicinity of this equipment. NEVER substitute safety glasses or dry-condition goggles for indirect vented safety goggles.
- Know how to stop the pressure washer and bleed pressure quickly. Be thoroughly familiar with the controls.
- DO NOT allow CHILDREN to operate the electric pressure washer.
- Keep operating area clear of all persons.
- Inspect high pressure hose before each use. NEVER repair high pressure hose; replace it.
- DO NOT repair leaking connections with sealant of any kind; replace o-rings and gaskets.
- Keep hose connected to electric pressure washer and spray gun while system is pressurized.
- ALWAYS point spray gun in safe direction while system is pressurized and squeeze spray gun trigger to release high pressure, every time you turn off the pressure washer.
- DO NOT aim spray gun at people or animals.
- DO NOT drink from hose connected accessories.
- DO NOT secure spray gun in open position.
- DO NOT leave spray gun unattended while the electric pressure washer is in ON (I) position.
- DO NOT use a spray gun which does not have a trigger lock or trigger guard in place and in working order.
- Always be certain spray gun and accessories are correctly attached.
- Stay alert – watch what you are doing.
- DO NOT operate the product when fatigued or under the influence of alcohol or drugs.
- Close supervision is necessary when this product is used near children.


 **WARNING** The high pressure stream of water that this equipment produces could cut through skin and its underlying tissues, resulting in serious injury and possible amputation.

Spray gun traps high water pressure, even when motor is stopped and water is disconnected, which could result in serious injury.



- NEVER aim spray gun at people, animals, or plants.
- ALWAYS point spray gun in safe direction, squeeze spray gun trigger to release high pressure, every time you turn off pressure washer.

 **WARNING** Risk of fire. Spraying flammable liquids could result in death or serious injury.

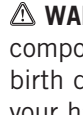
- DO NOT spray flammable liquids.

 **WARNING** Risk of fire. Overheated cord could result in death or serious injury.

- Uncoil cord completely prior to use.
- DO NOT cover cord with any material.

  **WARNING** Chemical Burn Hazard. Chemicals could cause burns resulting in death or serious injury.

- Always wear indirect vented (chemical splash) safety goggles marked to comply with ANSI Z87.1 when using chemicals.
- DO NOT substitute safety glasses or dry-condition goggles for indirect vented safety goggles.
- DO NOT use caustic liquid with electric pressure washer.
- Use ONLY pressure washer safe detergents/soaps. Follow all manufacturers instructions.

 **WARNING** This product contains lead and lead compounds, known to the state of California to cause birth defects or other reproductive harm. Wash your hands after handling this product. Cancer and Reproductive Harm - [www.P65Warnings.ca.gov](http://www.P65Warnings.ca.gov)

**NOTICE** High pressure spray could damage fragile items including glass.

- DO NOT point spray gun at glass when using 0° nozzle setting or red nozzle.
- NEVER aim spray gun at plants.

**NOTICE** You must protect your unit from freezing temperatures.

- Failure to do so will permanently damage your pump and render your unit inoperable.
- Freeze damage is not covered under warranty.

**NOTICE** Improper treatment of electric pressure washer could damage it and shorten its life.

- If you have questions about intended use, ask dealer or contact authorized service center.
- DO NOT operate units with broken or missing parts, or without protective housing or covers.
- DO NOT by-pass any safety device on the electric pressure washer.
- DO NOT modify the electric pressure washer in any way.
- DO NOT move the electric pressure washer by pulling on hoses. Move unit using the transport handle supplied.
- Use ONLY branded accessories intended for use with this product.

Not for  
Reproduction

## Assembly

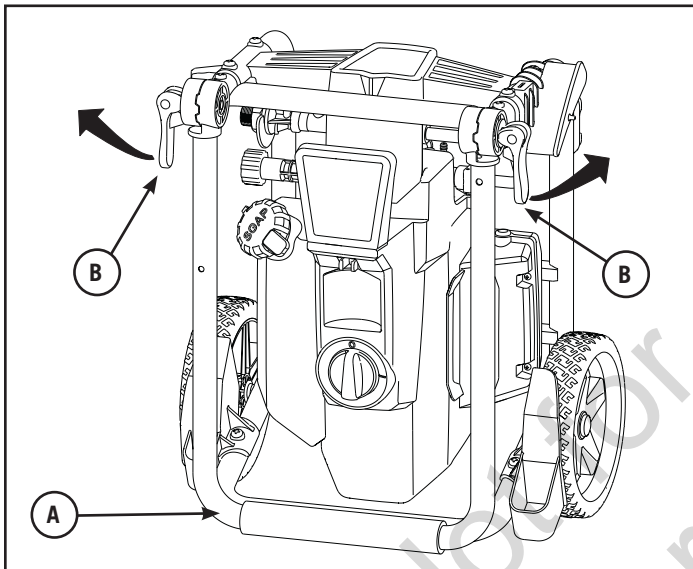


**Read entire operator's manual before you attempt to assemble or operate your new electric pressure washer.**

Your electric pressure washer requires some assembly but is quickly ready for use. If you have any problems with the assembly of your electric pressure washer, please call the electric pressure washer helpline at **(888) 331-4569**. If calling for assistance, please have the model, revision, and serial number from the identification label available.

### Unpack Electric Pressure Washer

1. Remove everything from carton.
2. Raise handle **(A)** to upright position by pulling up latch on each side of handle. Push latches **(B)** down to secure handle in place.



**NOTICE** The unit is equipped with a foldable handle. The handle can be folded down for storage. See *Final Storage Procedures*.

3. Ensure you have all included items prior to assembly.

### Items Included in the Carton

- Main unit
- Operator's manual
- Spray gun
- High pressure hose
- Spray wand with Quick Connect (QC)
- 7-in-1 nozzle
- Red high pressure nozzle

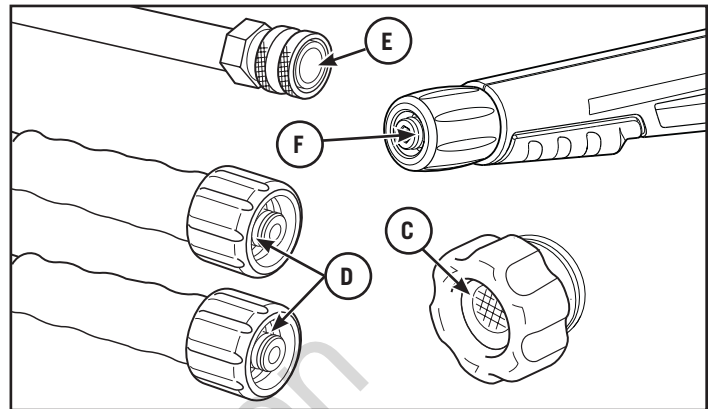
Check all contents. If any parts are missing or damaged, call the electric pressure washer helpline at **(888) 331-4569**.

Become familiar with each component before assembling the electric pressure washer. Identify contents with the illustration shown in *Features and Controls*.

### Lubricate O-Rings

Lubrication of o-rings is extremely important for installation and operation. The use of a lubricant (petroleum or synthetic grease) during assembly helps seat o-rings properly and provides an improved seal. It also helps protect the o-ring from damage by abrasion, pinching or cutting and extends the life of the o-ring.

**NOTICE** ALWAYS apply a small amount of lubricant on o-rings prior to assembling the garden hose to the pump **(C)**, high pressure hose **(D)**, spray wand **(E)** and spray gun **(F)**.



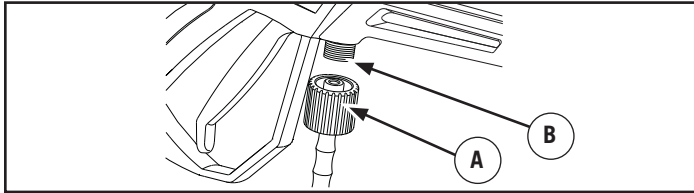
**Lubricate all connections shown below, following these instructions:**

1. Inspect and clean connecting surfaces prior to lubrication and assembly.
2. Use lubricants sparingly during assembly; a light film is all that is required.
3. Use a small brush or cotton swab to apply grease directly to o-rings where they are not accessible (QC fitting, M22 fitting).

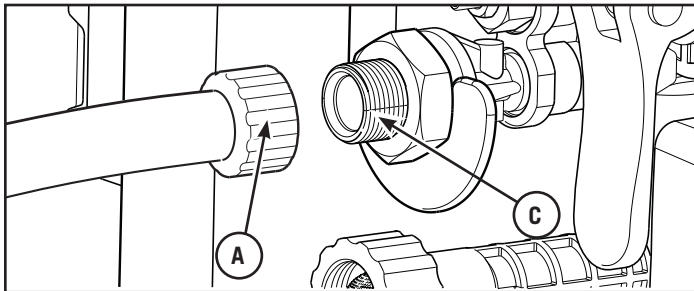
## Connect Hose and Water Supply to Pump

**NOTICE** DO NOT run the pump without the water supply connected and turned on.

- Damage to equipment resulting from failure to follow this instruction will void warranty.
1. Uncoil high pressure hose (A) and attach black end of hose to base of spray gun (B). Tighten by hand.



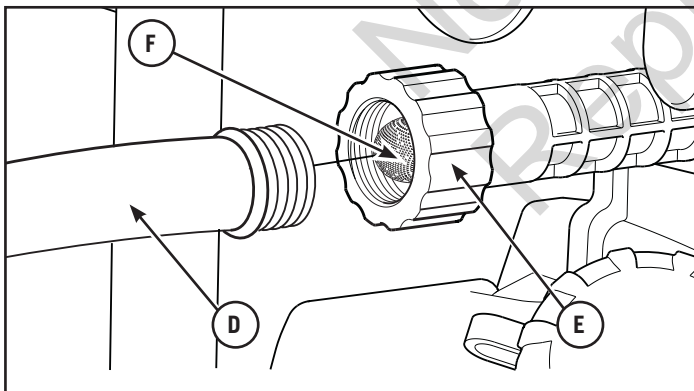
2. Attach blue end of high pressure hose (A) to high pressure outlet (C) on pump. Tighten by hand.



3. Run water through your garden hose for 30 seconds to clean out any debris.

**NOTICE** DO NOT siphon standing water for the water supply. Use ONLY cold water (less than 100°F (38°C)).

4. Before connecting garden hose (D) to water inlet (E), inspect inlet screen (F). Clean screen if it contains debris or have it replaced if damaged. DO NOT run pressure washer if inlet screen is damaged.

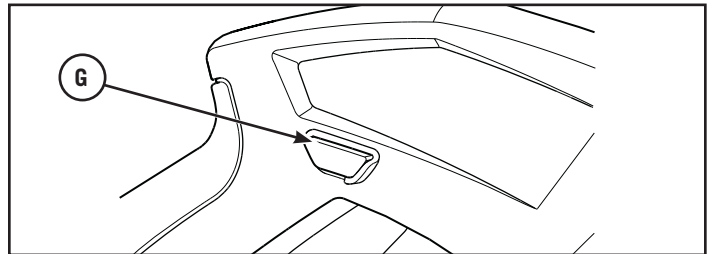


**NOTICE** Using a One Way Valve (vacuum breaker or check valve) at pump inlet could cause pump or inlet connector damage.

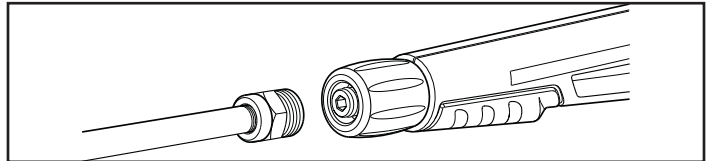
- There MUST be at least 10 ft. (3 m) of unrestricted garden hose between the pressure washer inlet and any device, such as a vacuum breaker or check valve.
  - Damage to equipment resulting from failure to follow this instruction will void warranty.
5. Connect the garden hose (D) (not to exceed 50 ft. (15 m) in length) to the water inlet (E). Tighten by hand.

## Connect Spray Wand and 7-in-1 Nozzle

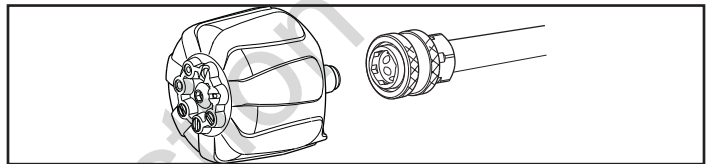
1. Turn ON water, point gun in a safe direction, press trigger lock button (G), then squeeze trigger to purge pump system and spray gun of air and impurities.



2. Attach spray wand to spray gun. Tighten by hand.



3. Pull back on collar of spray wand, insert 7-in-1 nozzle and release collar. Tug on 7-in-1 nozzle to make sure it is securely in place. See *How to Use Nozzles*.



## Checklist Before Starting Pump Motor

Review the unit's assembly to ensure you have performed all of the following.

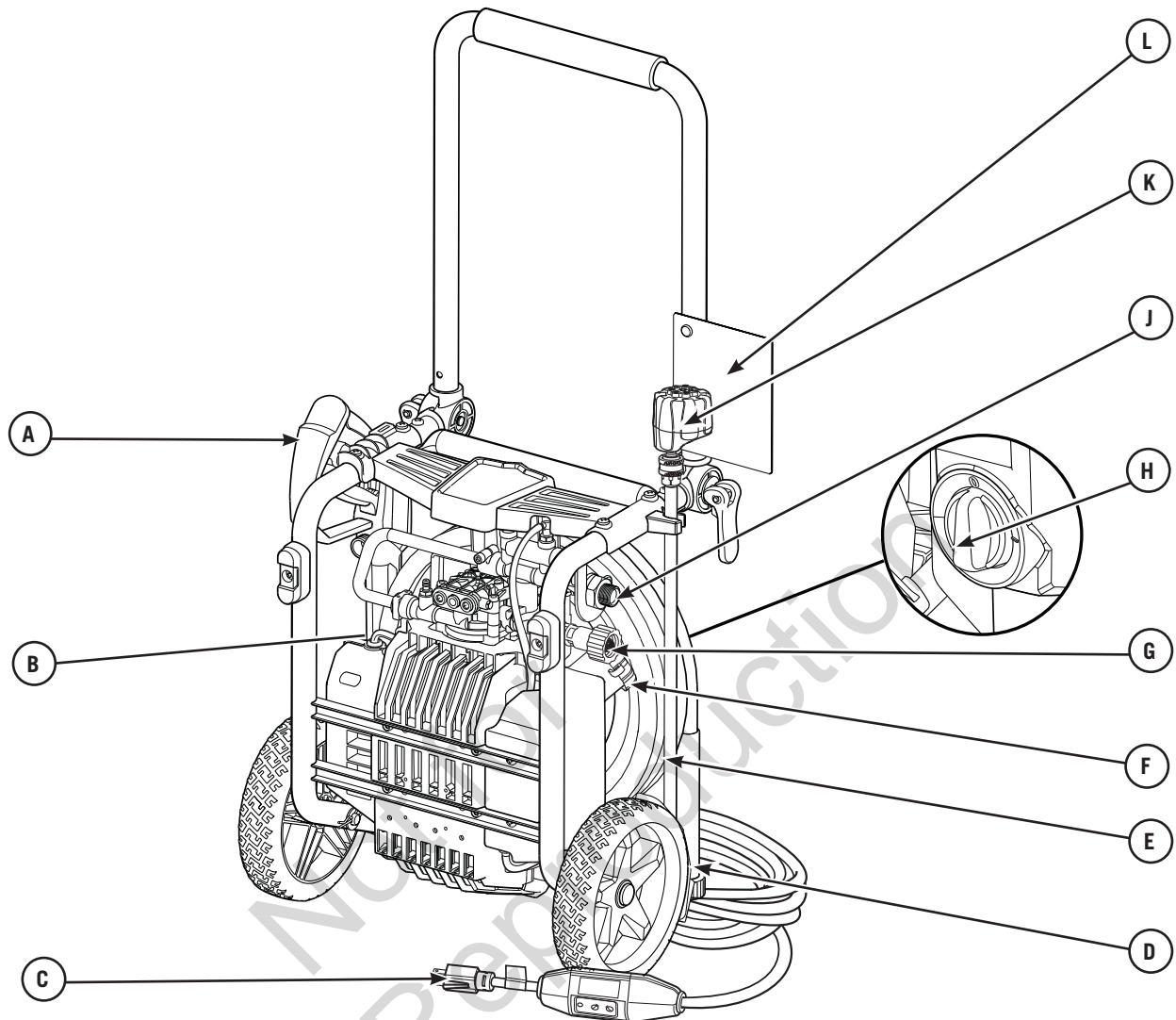
1. Be sure to read *Operator Safety and Operation* before using the electric pressure washer.
2. Check for properly tightened hose connections.
3. Check to make sure there are no kinks, cuts, or damage to hoses.
4. Provide a proper water supply at an adequate flow.
5. Plug electrical power cord into a dedicated electrical circuit rated for 120 Volts AC at 15 Amps that is properly installed in accordance with all local codes and ordinances. Check that circuit is not used to supply any other electrical needs.

## Features and Controls



**Read the Operator's Manual and safety rules before operating your electric pressure washer.**

Compare the illustrations with your electric pressure washer to familiarize yourself with the locations of various controls and adjustments. Save this original manual for future reference.



**A - Spray Gun** — Controls the application of water onto cleaning surface with trigger device. Includes trigger lock.

**B - Identification Label** — Provides model and serial number of pressure washer. Please have these readily available if calling for assistance.

**C - Electric Cord with GFCI** — The electric pressure washer and operator is protected by a ground fault circuit interrupter (GFCI).

**D - High Pressure Hose** — Connect one end to high pressure water outlet and the other end to spray gun.

**E - Spray Wand with Quick Connect** — Allows you to switch between 7-in-1 nozzle and optional accessories.

**F - Detergent Tank** — Use to hold up to 40 fl. oz. (1.2 l) of pressure washer safe detergent.

**G - Water Supply Inlet** — Connect to water supply using a 50 ft. (15.24 m) maximum garden hose.

**H - Master ON/OFF Toggle Switch** — Turn switch to ON (I) position to start pressure washer. Turn switch to OFF (O) position to stop pressure washer.

**J - High Pressure Outlet** — Connection for high pressure hose.

**K - 7-in-1 Nozzle** — Contains seven different spray pattern nozzles for various applications.

**L - Warning Label** — Identifies hazards to be avoided when using your pressure washer.



# Operation

## How to Start Your Electric Pressure Washer

Follow the instructions below in the order presented. If you have any problems operating your electric pressure washer, please call the electric pressure washer helpline at **(888) 331-4569**.

**WARNING** Risk of eye injury. Spray could splash back or propel objects resulting in serious injury. Always wear indirect vented (chemical splash) safety goggles marked to comply with ANSI Z87.1 when using or in vicinity of this equipment. NEVER substitute safety glasses or dry-condition goggles for indirect vented safety goggles.

1. Place the electric pressure washer near an outside water source capable of supplying water at a flow rate greater than 5.0 gallons per minute (18.9 l) and 25-75 psi (1.72-5.17 bar) at the electric pressure washer end of garden hose. DO NOT siphon supply water.
2. Connect garden hose to water inlet.
3. Check that high pressure hose is tightly connected to spray gun and high pressure outlet. See *Assembly* section.

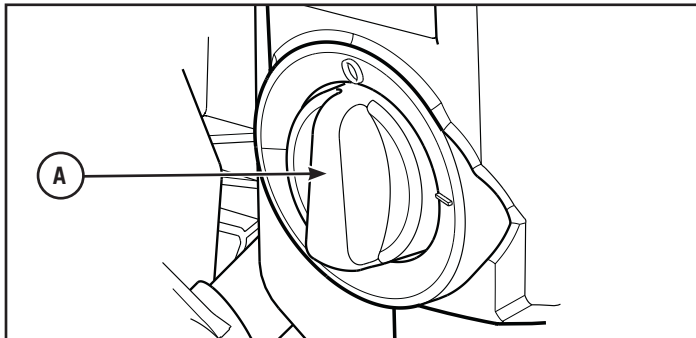
**NOTICE** If hose connections start leaking during use, shut down unit as described in steps 1-5 of *How to Stop Your Electric Pressure Washer*. Remove hose completely and reinstall hand tight. Failure to completely remove hose could damage o-ring and cause hose connection to continue leaking. If o-ring becomes damaged, replace.

**NOTICE** DO NOT run the pump without the water supply connected and turned on.

- Damage to equipment resulting from failure to follow this instruction will void warranty.
4. Turn ON water, point gun in a safe direction, press trigger lock button and squeeze trigger to purge pump system of air.
  5. Install spray wand and 7-in-1 nozzle onto spray gun. See *Assembly* section.

**NOTICE** The unit can be operated in vertical or horizontal positions.

6. Turn master ON/OFF switch (A) to OFF (O) position.

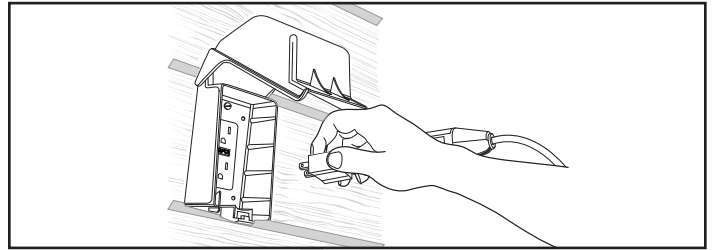


**WARNING** Risk of electrocution. Use of an extension cord could cause electric shock or burn resulting in death or serious injury.



- DO NOT use an extension cord with this electric pressure washer. Your home's electrical circuit receptacle or extension cord may not provide lifesaving ground-fault circuit-interruption protection.

7. Plug electrical power cord into a dedicated electrical circuit rated for 120 Volts AC at 15 Amps that is properly installed in accordance with all local codes and ordinances. Circuit is not to supply any other electrical needs. The indicator light on the GFCI should be ON.

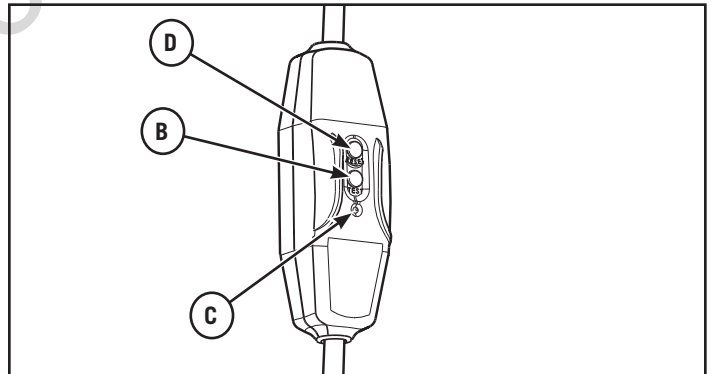


**NOTICE** The indicator light must be ON for the electric pressure washer to operate.

**WARNING** Risk of electrocution. Non-operating ground fault circuit interrupter (GFCI) could result in death or bodily injury. If indicator light does not stay ON after test and reset, do not use GFCI.



8. Press TEST button (B). The indicator light (C) should be OFF.



9. Press RESET button (D). The indicator light (C) should be ON.

**NOTICE** DO NOT use the electric pressure washer if above test fails.

10. Turn master ON/OFF switch to ON (I) position.
11. Point gun in a safe direction, press trigger lock button and squeeze trigger.

The electric pressure washer motor will start and stop as spray gun trigger is depressed and released.

The electric pressure washer is now ready for use. Instructions for use of the supplied accessories are given later in this section.

## How to Stop Your Electric Pressure Washer

The electric pressure washer motor runs only when the trigger is engaged. To stop the electric pressure washer and turn off the motor:

1. Release spray gun trigger.
2. Turn master ON/OFF switch to OFF (0) position.

**NOTICE** Releasing the trigger will shut off the motor but does not shut off electrical power to the unit.

3. Turn off water supply.

**WARNING** The high pressure stream of water that this equipment produces could cut through skin and its underlying tissues, resulting in serious injury and possible amputation.

Spray gun traps high water pressure, even when motor is stopped and water is disconnected, which could result in serious injury.

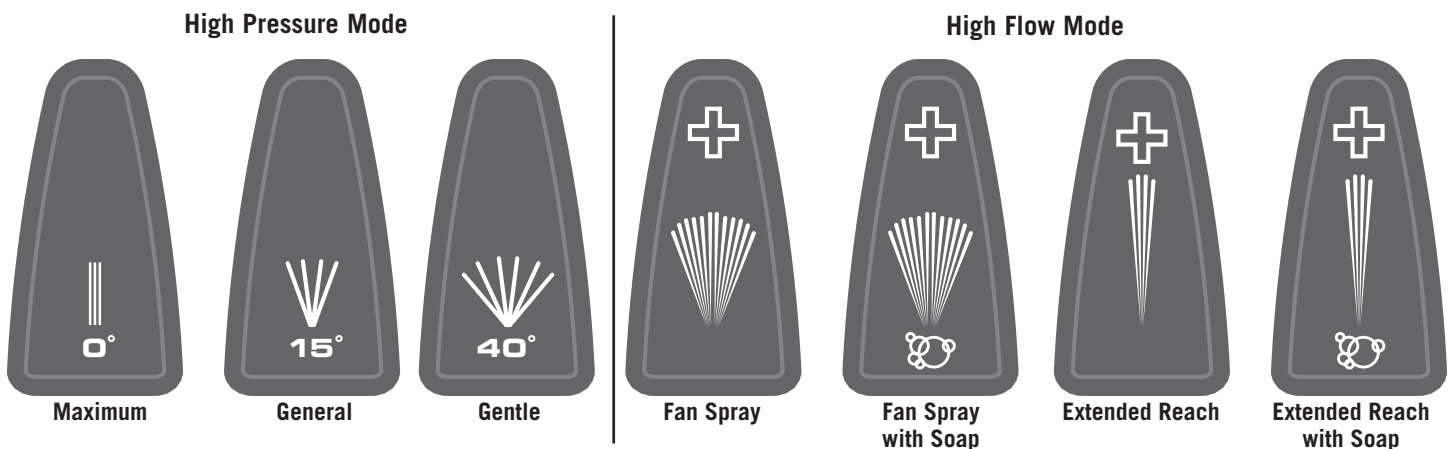
- Keep high pressure hose connected to pump and spray gun while system is pressurized.
- ALWAYS point spray gun in safe direction, squeeze spray gun trigger to release high pressure, every time you turn off pressure washer.

4. ALWAYS point spray gun in a safe direction, press trigger lock button and squeeze trigger to relieve built up pressure in the unit.
5. Disconnect GFCI plug from outlet.

## How to Use Nozzles

### 7-in-1 Nozzle

The 7-in-1 nozzle allows you to switch between seven different spray pattern nozzles. Release trigger on spray gun to engage safety lock before changing spray patterns. The spray patterns vary as shown below.



1. Select desired spray pattern:

- Select Maximum 0° nozzle setting for stubborn or hard to reach surface such as second story surfaces, paint removal, oil stains, rust removal or other stubborn substances (tar, gum, grease, wax, etc.).
- Select General 15° nozzle setting for tougher cleaning tasks. Ideal for removing grease and dirt from hard surfaces. Also capable of stripping paint when held at a 45° angle.
- Select Gentle 40° nozzle setting for gentle cleaning of cars/trucks, boats, RV's, patio furniture, lawn equipment, etc.
- Select Fan Spray nozzle setting for optimal high flow rinsing away of light dirt and debris.
- Select Fan Spray with Soap nozzle setting for delicate surface cleaning of cars, trucks, childrens play equipment, patio furniture, etc.
- Select Extended Reach nozzle setting for quick high flow clean up and long reach cleaning of second story siding and windows.
- Select Extended Reach with Soap nozzle setting to propell soap to second story siding and windows.

2. Turn dial until desired spray pattern lines up with arrow on 7-in-1 nozzle.

### Red High Pressure Nozzle

The red high pressure nozzle gives you the most cleaning power by producing the highest pressure.

### Usage Tips

- For most effective cleaning, keep nozzle from 8 to 24 inches away from cleaning surface.
- If you get too close, especially using a high pressure spray pattern nozzle, you may damage surface being cleaned.
- Do Not get closer than 6 inches (15 cm) when cleaning tires.

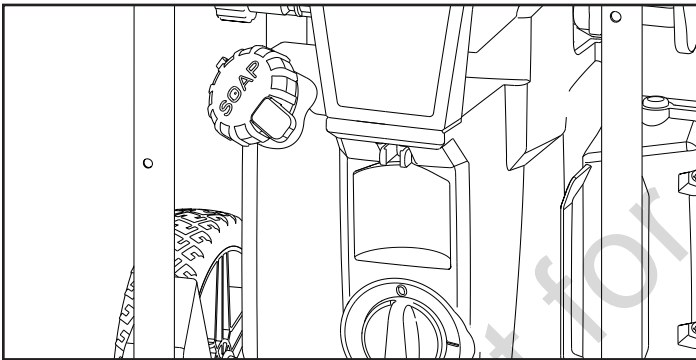
## Applying Detergent

**⚠ WARNING** Chemical Burn Hazard. Chemicals could cause burns resulting in death or serious injury.

- Always wear indirect vented (chemical splash) safety goggles marked to comply with ANSI Z87.1 when using chemicals.
- DO NOT substitute safety glasses or dry-condition goggles for indirect vented safety goggles.
- DO NOT use caustic liquid with electric pressure washer.
- Use ONLY pressure washer safe detergents/soaps. Follow all manufacturers instructions.

### To apply detergent, follow these steps:

1. Review use of nozzles shown in *How to Use Nozzles*.
2. Prepare your detergent solution as required by job to be performed.
3. Remove cap from detergent tank and fill with detergent solution. Replace cap.



4. Make sure one of the soap spray pattern nozzles is selected on 7-in-1 nozzle.

**NOTICE** Detergent cannot be applied with high pressure nozzles (red, maximum, general, delicate, fan spray or extended reach).

5. Make sure garden hose is connected to water inlet and high pressure hose is connected to spray gun and high pressure outlet. Turn on water.
6. Start the pressure washer as instructed in *How to Start Your Electric Pressure Washer*.
7. Apply detergent to a dry surface, starting at lower portion of area to be washed and work upward using long, even, overlapping strokes.

**NOTICE** High water supply pressure may not allow detergent to flow. See *Troubleshooting*.

8. Allow detergent to “soak in” for 3-5 minutes before washing and rinsing. Reapply as needed to prevent surface from drying. To prevent streaking, Do Not allow detergent to dry on surface.

## Electric Pressure Washer Rinsing

1. Select desired high pressure nozzle following instructions *How to Use Nozzles*.
2. Keep spray gun a safe distance from area you plan to spray.

**⚠ WARNING** Risk of kickback.



Spray gun could kickback causing you to fall resulting in death or serious injury.

- Operate the electric pressure washer from a stable surface.
- Be extremely careful if you must use the electric pressure washer from a ladder, scaffolding, or any other similar location.
- Firmly grasp spray gun with both hands when using power spray modes to avoid injury when spray gun kicks back.

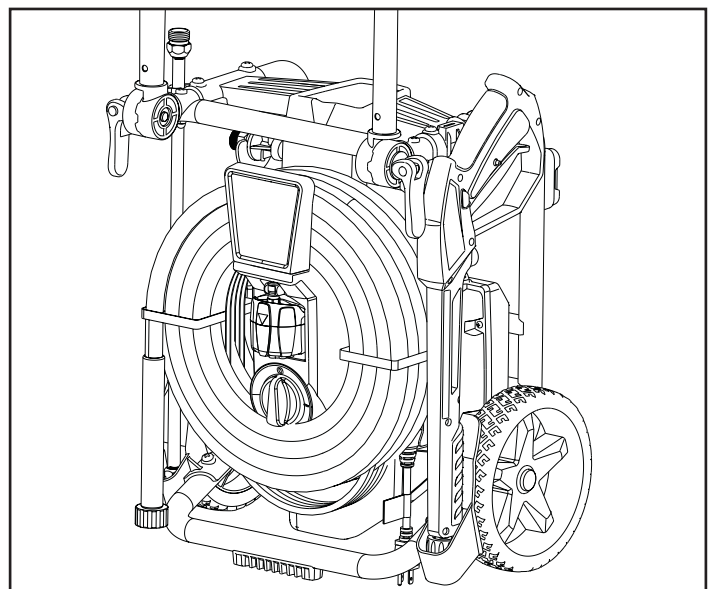
3. Apply a high pressure spray to a small area and then check surface for damage. If no damage is found, you can assume it is okay to continue rinsing.
4. Start at top of area to be rinsed, working down with same overlapping strokes as you used for cleaning.

### Other Cleaning Tips

- NEVER leave the electric pressure washer unattended while it is plugged into an electrical outlet and while water is supplied to the equipment.
- If you have the nozzle too far away from the surface being washed, the cleaning may not be as effective.

### How to Store Accessories

The unit is equipped with places to store your high pressure hose, spray gun, spray wand, 7-in-1 nozzle and power cord. The red high pressure nozzle can be stored on end of spray wand. Identify all accessories with the illustrations in *Features and Controls*.



# Maintenance

## General Recommendations

Regular maintenance will improve the performance and extend the life of the electric pressure washer.

The electric pressure washer's warranty does not cover items that have been subjected to operator abuse or negligence. To receive full value from the warranty, the operator must maintain the electric pressure washer as instructed in this manual, including proper storage.

**NOTICE** Should you have questions about replacing components on your electric pressure washer, please call **(888) 331-4569** for assistance.

**NOTICE** Your electric pressure washer was designed and intended to be used with POWERflow+ components ONLY. Using components that are not designed for POWERflow+ will cause your pressure washer to not function optimally.

### Before Each Use

1. Clean debris.
2. Check water inlet screen for debris or damage.
3. Check high pressure hose for leaks.
4. Check spray gun operation.

## Electric Pressure Washer Maintenance

### Clean Debris

Daily or before use, clean accumulated debris from electric pressure washer. Inspect cooling air slots and openings on the front, rear and bottom of the electric pressure washer. These openings must be kept clean and unobstructed. The electric pressure washer parts should be kept clean to reduce the risk of overheating and ignition of accumulated debris.

- Use a damp cloth to wipe exterior surfaces clean.

**NOTICE** Improper treatment of the electric pressure washer can damage it and/or shorten its life.

- DO NOT insert any objects through cooling slots.

### Check and Clean Water Inlet Screen

Examine the screen on the unit's water inlet. Clean it if the screen is clogged or replace it if screen is damaged.

### Check High Pressure Hose

The high pressure hose can develop leaks from wear, kinking, or abuse. Inspect the hose each time before using it. Check for cuts, leaks, abrasions or bulging of cover, damage or movement of couplings. If any of these conditions exist, replace the hose immediately.

**WARNING** The high pressure stream of water that this equipment produces could cut through skin and its underlying tissues, resulting in serious injury and possible amputation.

- NEVER repair high pressure hose. Replace it.
- Replacement hose rating MUST equal or exceed maximum pressure rating of unit.

## Check Spray Gun

Examine hose connection to spray gun and make sure it is secure. Test trigger by pressing trigger lock button and making sure trigger "springs back" into place when you release it. You should not be able to press trigger without pressing trigger lock button. Replace spray gun immediately if it fails any of these tests.

## Nozzle Maintenance

Excessive pump pressure can cause a pulsing sensation felt while squeezing the spray gun trigger. The principal cause of excessive pump pressure is a nozzle clogged or restricted with foreign materials such as dirt, etc. A clogged nozzle could lead to pump cycling ON/OFF or not turning on even when there is some flow.

To correct the problem, immediately clean the nozzle by following these instructions:

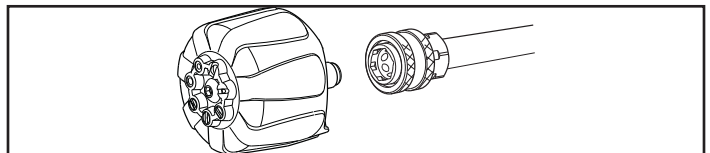
1. Turn master ON/OFF switch to OFF (0) position. Remove power cord plug from electrical outlet.
2. Disconnect water supply at the electric pressure washer.
3. ALWAYS point spray gun in a safe direction, press trigger lock button and squeeze spray gun trigger to release retained high water pressure.

**WARNING** The high pressure stream of water that this equipment produces could cut through skin and its underlying tissues, resulting in serious injury and possible amputation.

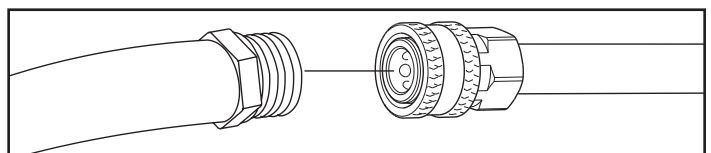
Spray gun traps high water pressure, even when motor is stopped and water is disconnected, which could result in serious injury.

- Keep high pressure hose connected to pump and spray gun while system is pressurized.
- ALWAYS point spray gun in safe direction, squeeze spray gun trigger to release high pressure, every time you turn off pressure washer.

4. Remove 7-in-1 nozzle from end of spray wand.



5. Use small paper clip to free any foreign material clogging or restricting any of the nozzles.
6. Using a garden hose, remove additional debris by back flushing water through spray wand. Back flush between 30 to 60 seconds.



7. Reinstall 7-in-1 nozzle into spray wand.

8. Reconnect spray wand to spray gun.
9. Make sure garden hose is connected to water inlet. Check that high pressure hose is connected to spray gun. Turn on water.
10. Plug power cord into electrical outlet and turn master ON/OFF switch to pressure washer ON (I) position.
11. Test the electric pressure washer by operating with each nozzle setting.

### Pump and Motor Maintenance

The electric pressure washer does not require any maintenance to the pump or motor. Both assemblies are pre-lubricated and sealed, requiring no additional lubrication ever.

### After Each Use

Water should not remain in the unit for long periods of time. Sediments or minerals can deposit on pump parts and “freeze” pump action. Follow these procedures after every use:

1. To ensure detergent tank does not drain during storage, run electric pressure washer with a soap spray nozzle until tank is empty.
2. Add 0.5 liter of clean fresh water to detergent tank, run electric pressure washer with a soap nozzle. Flush for one or two minutes.
3. Turn master ON/OFF switch to OFF (O) position. Remove power cord plug from electrical outlet.
4. Turn off water supply. Point gun in a safe direction, press trigger lock button and squeeze trigger to relieve trapped pressure.
5. Disconnect garden hose from water inlet. Disconnect high pressure hose from spray gun and high pressure outlet.
6. Drain water from hose and spray gun, then use a cloth or equivalent to wipe off all exterior surfaces.
7. Drain water from pump by tipping unit onto its right side (water inlet and high pressure outlet facing down) for two minutes.
8. Wrap high pressure hose and power cord on hook.
9. Store spray gun, spray wand, and 7-in-1 nozzle in provided storage areas. Store red high pressure nozzle on end of spray wand.
10. Store unit in a clean, dry area.
11. If storing for more than 30 days see *Winter or Long Term Storage*.

## Winter or Long Term Storage

Follow steps 1-9 in *After Each Use*.

**NOTICE** Water left in pump could freeze and permanently damage pump. Freeze damage is not covered under warranty.

### Protecting the Pump

To protect the pump from damage caused by mineral deposits or freezing, use PumpSaver, Model 6039, to treat pump. This prevents freeze damage and lubricates plunger and seals.

**NOTICE** PumpSaver is available as an optional accessory. It is not included with the electric pressure washer. Contact the nearest authorized service center to purchase Pump Saver.

**NOTICE** You must protect your unit from freezing temperatures.

- Failure to do so will permanently damage your pump and render your unit inoperable.
- Freeze damage is not covered under warranty.

To use PumpSaver, make sure electric pressure washer is turned off and inlet and outlet hoses are disconnected. Read and follow all instructions and warnings given on the PumpSaver container.

### Final Storage Procedures

1. Wrap high pressure hose and power cord on hook.
2. Store spray gun, spray wand, and 7-in-1 nozzle in provided storage areas. Store red high pressure nozzle on end of spray wand.
3. Store unit in a clean, dry area that is protected from freezing temperatures. The unit is equipped with a foldable handle. The handle can be folded down for storage. The unit can be operated in vertical or horizontal positions.
4. Cover unit with a suitable protective cover that does not retain moisture.

# Troubleshooting

Problem	Cause	Correction
<b>Pump has following problems: failure to produce pressure, erratic pressure, chattering, loss of pressure, low water volume.</b>	<ol style="list-style-type: none"> <li>1. Water inlet is blocked.</li> <li>2. Inadequate water supply.</li> <li>3. Garden hose is kinked or leaking.</li> <li>4. Clogged water inlet screen.</li> <li>5. Water supply is over 100°F (38°C).</li> <li>6. High pressure hose is blocked or leaks.</li> <li>7. Nozzle is obstructed.</li> </ol>	<ol style="list-style-type: none"> <li>1. Clear inlet.</li> <li>2. Provide adequate water flow.</li> <li>3. Straighten garden hose or replace if leaking.</li> <li>4. Check and clean water inlet screen.</li> <li>5. Provide cooler water supply.</li> <li>6. Clear blocks in high pressure hose or replace hose.</li> <li>7. Clean spray tip.</li> </ol>
<b>Unit fails to start when spray gun trigger is squeezed.</b>	<ol style="list-style-type: none"> <li>1. Water supply is not turned on.</li> <li>2. Unit is not turned on.</li> <li>3. Garden hose is too long.</li> <li>4. Fuse blown or circuit breaker tripped.</li> </ol>	<ol style="list-style-type: none"> <li>1. Turn on water supply.</li> <li>2. Turn master ON/OFF switch to ON (I) position. Reset GFCI.</li> <li>3. Use only 50 ft. (15.24 m) maximum garden hose.</li> <li>4. a.) Check fuse box for blown fuse and replace as necessary or reset circuit breaker. Do not use a fuse or circuit breaker with a higher rating than that specified for your particular branch circuit. b.) Disconnect other electrical appliances and turn off lights in the circuit or operate the pressure washer on its own dedicated circuit. c.) Run pressure washer in any POWERflow+ High Flow Mode (⊕) nozzle setting for 10 minutes. Motor break in may be necessary.</li> </ol>
<b>Detergent fails to mix with spray.</b>	<ol style="list-style-type: none"> <li>1. High pressure or high flow without soap nozzle is selected.</li> <li>2. Inlet water supply pressure too high.</li> </ol>	<ol style="list-style-type: none"> <li>1. Select a high flow soap nozzle setting (indicated with bubbles).</li> <li>2. Slowly close water supply valve until chemical just starts to draw (soap suds will appear when chemical starts to draw).</li> </ol>
<b>Hose connections leaking.</b>	<ol style="list-style-type: none"> <li>1. Garden hose loose to water inlet.</li> <li>2. Loose high pressure hose connections.</li> <li>3. Damaged o-ring.</li> </ol>	<ol style="list-style-type: none"> <li>1. Hand tighten garden hose to water inlet.</li> <li>2. Remove hose completely and reinstall hand tight.</li> <li>3. Replace o-ring.</li> </ol>

For assistance with your product, visit our website [Craftsman.com](http://Craftsman.com).

## Product Specifications

Max Pressure	2,000 PSI (138 BAR)* @ 1.1 GPM (4.1 liters/min)
Max Flow	3.5 GPM* (13.25 liters/min)* @ 80 PSI (5.5 BAR)
Detergent Mix	See MFR's Instructions
Water Supply Temperature	Not to exceed 100°F (38°C)
Motor	Induction Type
Rated Voltage	120 Volts AC
Current	13.0 Amps

\* This pressure washer is rated in accordance to the Pressure Washer Manufacturers Association (PWMA) standard PW101-2010 (Testing and Rating Performance of Pressure Washers).

## CRAFTSMAN PRODUCTS WARRANTY POLICY

### LIMITED WARRANTY

Craftsman® is a registered trademark of Stanley Black & Decker Inc and is used under license to Briggs & Stratton. Briggs & Stratton warrants that, during the warranty period specified below, it will repair or replace, free of charge, any part that is defective in material or workmanship or both. Transportation charges on product submitted for repair or replacement under this warranty must be borne by purchaser. This warranty is effective for and is subject to the time periods and conditions stated below. For warranty service, find the nearest Authorized Service Dealer in our dealer locator map at BRIGGSANDSTRATTON.COM. The purchaser must contact the Authorized Service Dealer, and then make the product available to the Authorized Service Dealer for inspection and testing.

**There is no other express warranty. Implied warranties, including those of merchantability and fitness for a particular purpose, are limited to the warranty period listed below, or to the extent permitted by law. Liability for incidental or consequential damages are excluded to the extent exclusion is permitted by law.** Some states or countries do not allow limitations on how long an implied warranty lasts, and some states or countries do not allow the exclusion or limitation of incidental or consequential damages, so the above limitation and exclusion may not apply to you. This warranty gives you specific legal rights and you may also have other rights which vary from state to state or country to country.\*\*

### WARRANTY PERIOD

Consumer Use	Commercial Use
24 months	None

\*\* In Australia - Our goods come with guarantees that cannot be excluded under the Australian Consumer Law. You are entitled to a replacement or refund for a major failure and for compensation for any other reasonably foreseeable loss or damage. You are also entitled to have the goods repaired or replaced if the goods fail to be of acceptable quality and the failure does not amount to a major failure. For warranty service, find the nearest Authorized Service Dealer in our dealer locator map at BRIGGSandSTRATTON.COM, or by calling 1300 274 447, or by emailing or writing to salesenquires@briggsandstratton.com.au, Briggs & Stratton Australia Pty Ltd, 1 Moorebank Avenue, NSW, Australia, 2170.

The warranty period begins on the date of purchase by the first retail or commercial consumer. "Consumer use" means personal residential household use by a retail consumer. "Commercial use" means all other uses, including use for commercial, income producing or rental purposes. Once a product has experienced commercial use, it shall thereafter be considered as a commercial use product for purposes of this warranty.

Save your proof of purchase receipt. If you do not provide proof of the initial purchase date at the time warranty service is requested, the manufacturing date of the product will be used to determine the warranty period. Product registration is not required to obtain warranty service on Briggs & Stratton products.

### ABOUT YOUR WARRANTY

Warranty service is available only through Briggs & Stratton Authorized Service Dealers. Most warranty repairs are handled routinely, but sometimes requests for warranty service may not be appropriate. This warranty covers only defects in materials or workmanship. It does not cover damage caused by improper use or abuse, improper maintenance or repair, normal wear and tear, or stale or unapproved fuel.

**Improper Use and Abuse** - The proper, intended use of this product is described in the Operator's Manual. Using the product in a way not described in the Operator's Manual or using the product after it has been damaged will not be covered under this warranty. Warranty coverage will also not be provided if the serial number on the product has been removed or the product has been altered or modified in any way, or if the product has evidence of abuse such as impact damage or water/chemical corrosion damage.

**Improper Maintenance or Repair** - This product must be maintained according to the procedures and schedules provided in the Operator's Manual, and serviced or repaired using genuine Briggs & Stratton parts or equivalent. Damage caused by lack of maintenance or use of non-original parts is not covered by warranty.

**Normal Wear and Tear** - Like most mechanical devices, your unit is subject to wear even when properly maintained. This warranty does not cover repairs when normal use has exhausted the life of a part or the equipment. Maintenance and wear items such as filters, belts, cutting blades, and brake pads (except engine brake pads) are not covered by warranty due to wear characteristics alone, unless the cause is due to defects in material or workmanship.

**Stale or Unapproved Fuel** - In order to function correctly, this product requires fresh fuel that conforms to the criteria specified in the Operator's Manual. Engine or equipment damage caused by stale fuel or the use of unapproved fuels (such as E15 or E85 ethanol blends) is not covered by warranty.

**Other Exclusions** - This warranty excludes damage due to accident, abuse, modifications, alterations, improper servicing, freezing or chemical deterioration. Attachments or accessories that were not originally packaged with the product are also excluded. There is no warranty coverage on equipment used for primary power in place of utility power or on equipment used in life support applications. This warranty does not include used, reconditioned, second-hand, or demonstration equipment or engines. This warranty also excludes failures due to acts of God and other force majeure events beyond the manufacturer's control.

80078402\_EN Rev A

**Gracias** por comprar esta hidrolavadora eléctrica Craftsman® de alta calidad. Nos complace que haya depositado su confianza en la marca Craftsman. Si la operación y el mantenimiento de su producto Craftsman se realiza según las instrucciones de este manual, le proporcionará muchos años de servicio confiable.

**Este manual contiene** información de seguridad para alertarlo sobre los peligros y riesgos asociados con las hidrolavadoras eléctricas, y para indicarle cómo evitarlos. Dado que Craftsman no conoce necesariamente todas las aplicaciones para las cuales se podría utilizar esta hidrolavadora eléctrica, es importante que usted lea detalladamente y entienda estas instrucciones antes de hacer arrancar o utilizar este equipo. **Guarde estas instrucciones originales para futuras consultas.**

**Esta hidrolavadora eléctrica requiere su montaje final antes de su uso.** Consulte la sección *Montaje* de este manual para conocer las instrucciones sobre los procedimientos de montaje final. Siga las instrucciones detalladamente.

## Contacto

Nunca debe ir demasiado lejos para encontrar el soporte y el servicio de Craftsman para su hidrolavadora eléctrica. Hay muchos distribuidores de servicio autorizado por Craftsman en todo el mundo, quienes suministran servicio de calidad. También puede ponerse en contacto con Atención al Cliente de Craftsman por teléfono al **(888) 331-4569** o en Internet en Craftsman.com.

### Hidrolavadora eléctrica

Número de modelo \_\_\_\_\_

Revisión \_\_\_\_\_

Número de serie \_\_\_\_\_

**Fecha de compra** \_\_\_\_\_

### Registrar su producto

Para asegurar pronta y completa cobertura de la garantía, registre su producto en línea en [Craftsman.com/registration](http://Craftsman.com/registration).

## Índice


Seguridad del operador . . . . .	3
Montaje . . . . .	6
Características y controles . . . . .	8
Operación . . . . .	9
Mantenimiento . . . . .	12
Almacenamiento . . . . .	14
Solución de problemas. . . . .	15
Especificaciones . . . . .	16
Garantía . . . . .	17



# Seguridad del operador

## CONSERVE ESTAS INSTRUCCIONES

### Descripción del equipo

 **ADVERTENCIA** No leer ni seguir las instrucciones del manual del operador y todas las instrucciones de funcionamiento antes de usar la unidad podría ocasionar la muerte o lesiones graves.

- Lea este manual cuidadosamente y familiarícese con la hidrolavadora eléctrica. Conozca sus aplicaciones, sus limitaciones y los peligros involucrados.

Se ha realizado el máximo esfuerzo para reunir en este manual la información más precisa y actualizada. No obstante, nos reservamos el derecho de modificar, alterar o mejorar de cualquier otra forma el producto y este documento en cualquier momento y sin previo aviso.

### POWERflow+ Technology

POWERflow+ Technology es una hidrolavadora de limpieza profunda que funciona con alta presión para levantar la suciedad y alto flujo para quitarla fácilmente. En el modo de alto flujo, POWERflow+ Technology mejora la experiencia de limpieza al proporcionar capacidades de mayor alcance, enjabonado automático y enjuague más rápido.

La fuerza detrás de POWERflow+ se encuentra en la bomba con dos modos de limpieza separados: alta presión y alto flujo. El modo de alta presión proporciona hasta 2,000 psi (libras por pulgada cuadrada) y es ideal para la limpieza de las manchas más resistentes, el moho y la suciedad de terrazas, calzadas y revestimientos, mientras que el modo de alto flujo ofrece hasta 3.5 gpm (galones por minuto) para poder enjuagar la suciedad, el jabón y los residuos. El modo de alto flujo también es mejor utilizado para el lavado de superficies delicadas, como muebles de jardín, vehículos, y juegos y juguetes de exterior para niños.

POWERflow+ Technology es un sistema de componentes que trabajan en conjunto para ofrecer la capacidad de alto flujo. El agua se envía desde la bomba a la manguera especialmente diseñada de 25 pies y a la pistola POWERflow+ de diseño personalizado y con mango de agarre suave. El agua pasa entonces a la exclusiva boquilla 7-en-1 que permite al usuario cambiar de alta presión a alto flujo, sin cambiar las boquillas, e impulsa el chorro hasta 30 pies.

### Protección mediante el interruptor de circuito por fallos con conexión a tierra

Esta hidrolavadora está cuenta con un interruptor de circuito por fallos con conexión a tierra (GFCI, ground-fault circuit-interrupter) montado en el enchufe del cable de alimentación. Este dispositivo proporciona una protección adicional contra el riesgo de descarga eléctrica. En caso de que sea necesario reemplazar el enchufe o el cable, utilice solamente piezas de reemplazo idénticas que incluyan la protección de GFCI.

### Apagado automático

La hidrolavadora eléctrica está equipada con un sensor que detecta que el flujo de agua se ha detenido al liberar o bloquear el gatillo de la pistola de pulverización. El sensor hará que el motor se apague durante el tiempo que el gatillo de la pistola de pulverización esté liberado o bloqueado.

Si el motor sigue funcionando cuando el gatillo de la pistola de pulverización está liberado o bloqueado, NO UTILICE LA MÁQUINA. Llame a la línea directa para hidrolavadoras eléctricas al **(888) 331-4569** para obtener ayuda.

**AVISO** La hidrolavadora eléctrica está equipada con un interruptor principal de encendido/apagado. El interruptor siempre debe moverse a la posición de apagado (O) cuando la hidrolavadora eléctrica no se está usando para evitar posibles daños.

### Sobrecarga del motor


El motor eléctrico de esta hidrolavadora eléctrica está equipado con un dispositivo de protección de sobrecarga (termostato). Este dispositivo apagará automáticamente el motor si este se sobrecalienta o en caso de exceso de corriente.


Si se activa el dispositivo de protección de sobrecarga, desconecte la fuente de alimentación moviendo el interruptor principal de encendido/apagado a la posición de apagado (O). Deje que la unidad se enfríe durante 30 minutos. A continuación, mueva el interruptor principal de encendido/apagado a la posición de encendido (I) para reanudar el funcionamiento.


### Información importante de seguridad


Lea y comprenda todo el manual antes del montaje, la operación o el mantenimiento del producto. Siga las instrucciones de mantenimiento especificadas en este manual. Si tiene alguna pregunta relacionada con el producto, llame a Atención al Cliente al **(888) 331-4569**, de lunes a viernes, de 8 a. m. a 5 p. m., CST.

### Símbolos de seguridad y significados

 El símbolo de alerta de seguridad indica un posible riesgo para su integridad física. Se utiliza una palabra de señalización (PELIGRO, ADVERTENCIA o PRECAUCIÓN) junto con el símbolo de alerta para designar un grado o nivel de gravedad de riesgo. Se puede utilizar un símbolo de seguridad para representar el tipo de riesgo. **AVISO** indica una información considerada importante, pero no relacionada con un peligro potencial.

 **PELIGRO** indica un peligro que, si no se evita, *ocasionará* la muerte o lesiones graves.

 **ADVERTENCIA** indica un peligro que, si no se evita, *podría* ocasionar la muerte o lesiones graves.

 **PRECAUCIÓN** indica un peligro que, si no se evita, *podría* ocasionar lesiones menores o moderadas.

**AVISO** indica una información considerada importante, pero no relacionada con un peligro potencial.



Lea el manual



Descarga eléctrica



Fuego



Superficie resbaladiza



Caídas



Inyección de fluidos



Proyectil



Objetos voladores



Quemadura química

**⚠ ADVERTENCIA** Riesgo de electrocución. El uso de un cable de prolongación podría ocasionar descarga eléctrica o quemaduras que pueden provocar lesiones graves o la muerte.

- NO use un cable de prolongación con esta hidrolavadora eléctrica. Es posible que el cable de prolongación o el enchufe del circuito eléctrico de su casa no proporcione la protección del interruptor de circuito por fallos con conexión a tierra que resguarda la vida de las personas.

**⚠ ADVERTENCIA** Riesgo de electrocución. Poner en contacto al mismo tiempo ambos conductores de energía podría provocar una descarga eléctrica o incendio que causen muertes o lesiones graves.

- Conectarla solo a un toma corriente con una buena descarga a tierra. NO quite el terminal de tierra del enchufe.
- Compruebe que el cable esté en buenas condiciones antes de usar la unidad. NO la utilice si el cable está dañado.
- El producto cuenta con un interruptor del circuito de fallo a tierra (GFCI) que se encuentra en el cable del enchufe. Si es necesario reemplazar el enchufe o el cable, reemplácelos exclusivamente por piezas de repuesto idénticas.
- Mantenga todas las conexiones secas y lejos del suelo.
- NO toque el enchufe con las manos mojadas.
- NO pase el cable por entradas, ventanas, orificios en los techos, paredes o pisos.
- NO pise el cable.
- NO aplaste, arrastre o coloque objetos sobre el cable.
- NO moje el área cercana a la fuente de energía.

**⚠ ADVERTENCIA** El uso de la hidrolavadora eléctrica podría formar charcos y generar superficies resbaladizas.

- Riesgo de contragolpe. La pistola de pulverización podría causar un contragolpe, con riesgo de caída que podría provocar la muerte o lesiones graves.
- Opere la hidrolavadora eléctrica desde una superficie estable.
  - No se estire ni se pare sobre un apoyo inestable. Mantenga una postura firme y un buen equilibrio en todo momento.
  - La zona de limpieza debe tener inclinaciones adecuadas y sistema de drenaje para reducir la posibilidad de caída debido a superficies resbaladizas.
  - Sea extremadamente cuidadoso si debe usar la hidrolavadora eléctrica desde una escalera, un andamio u otro lugar similar.
  - Sujete firmemente la pistola de pulverización con ambas manos al utilizar modos de pulverización eléctrica para evitar lesiones en caso de contragolpe de la pistola.

**⚠ ADVERTENCIA** Riesgo de lesiones oculares o corporales. La pulverización podría salpicar, propulsar objetos o causar daños internos, lo que puede provocar lesiones graves.

- Siempre use gafas de seguridad con ventilación indirecta (salpicaduras de productos químicos) identificadas en cumplimiento de la norma ANSI Z87.1 cuando utilice este equipo o esté cerca de él. NUNCA sustituya las gafas de seguridad con ventilación indirecta con gafas de seguridad o gafas de condición seca.
- Sepa cómo detener la hidrolavadora y descargar la presión rápidamente. Familiarícese completamente con los controles.
- NO permita que ningún NIÑO opere la hidrolavadora eléctrica.
- Mantenga el área de operación libre de personas.
- Inspeccione la manguera de alta presión antes de cada uso. NUNCA repare la manguera de alta presión; reemplácela.
- NO repare las conexiones con fugas con sellador de ningún tipo; reemplace las juntas tóricas y juntas.
- Mantenga la manguera conectada a la hidrolavadora eléctrica y a la pistola de pulverización cuando el sistema esté presurizado.
- SIEMPRE apunte con la pistola de pulverización hacia una dirección segura mientras el sistema esté presurizado y apriete el gatillo de la pistola para liberar la alta presión, cada vez que apague la hidrolavadora.
- NO apunte la pistola de pulverización hacia personas o animales.
- NO beba de los accesorios conectados a la manguera.
- NO fije la pistola de pulverización en la posición abierta.
- NO deje la pistola de pulverización desatendida cuando la hidrolavadora eléctrica está en la posición de encendido (I).
- NO utilice una pistola de pulverización que no tenga un bloqueo o seguro de gatillo instalado y en buenas condiciones.
- Asegúrese siempre de que la pistola de pulverización y los accesorios estén conectados correctamente.
- Manténgase alerta, observe lo que está haciendo.
- NO haga funcionar el producto si está cansado o bajo la influencia de alcohol o drogas.
- Se requiere supervisión minuciosa cuando este producto se utiliza cerca de niños.

**⚠ ADVERTENCIA** El chorro de agua a alta presión que este equipo produce podría atravesar la piel y los tejidos subcutáneos, y provocar lesiones graves y posible amputación.

La pistola de pulverización acumula agua a alta presión, incluso con el motor detenido y el agua desconectada, lo que puede provocar lesiones graves.

- NUNCA apunte la pistola de pulverización hacia personas, animales o plantas.
- SIEMPRE apunte con la pistola de pulverización hacia una dirección segura y apriete el gatillo de la pistola para liberar la alta presión, cada vez que apague la hidrolavadora.

**⚠ ADVERTENCIA** Riesgo de incendio. Pulverizar líquidos inflamables podría causar la muerte o lesiones graves.

- NO pulverice líquidos inflamables.

**⚠ ADVERTENCIA** Riesgo de incendio. Un cable sobrecalentado podría provocar la muerte o lesiones graves.

- Desenrolle el cable completamente antes de su uso.
- NO cubra el cable con ningún material.

**⚠ ADVERTENCIA** Peligro de quemaduras químicas. Los productos químicos podrían ocasionar quemaduras que podrían provocar la muerte o lesiones graves.

- Siempre use gafas de seguridad con ventilación indirecta (salpicaduras de productos químicos) identificadas en cumplimiento de la norma ANSI Z87.1 cuando utilice ese tipo de productos.
- NO sustituya las gafas de seguridad con ventilación indirecta con gafas de seguridad o gafas de condición seca.
- NO use líquido cáustico con la hidrolavadora eléctrica.
- Utilice SOLAMENTE detergentes o jabones de uso seguro en hidrolavadoras. Siga todas las instrucciones del fabricante.

**⚠ ADVERTENCIA** Este producto contiene plomo y compuestos de plomo que, de acuerdo al estado de California, pueden causar defectos de nacimiento u otros problemas reproductivos. Lávese las manos después de manipular este producto. Cáncer y problemas reproductivos – [www.P65Warnings.ca.gov](http://www.P65Warnings.ca.gov)

**AVISO** La pulverización a alta presión podría dañar objetos frágiles, incluido el vidrio.

- NO apunte la pistola de pulverización hacia objetos de vidrio cuando se utiliza el ajuste de la boquilla de 0°.
- NUNCA apunte la pistola hacia plantas.

**AVISO** Deberá proteger su unidad de las temperaturas de congelación.

- Si no lo hace, dañará permanentemente la bomba y la unidad no podrá funcionar.
- Los daños producidos por congelación no están cubiertos por la garantía.

**AVISO** Un tratamiento inadecuado de la hidrolavadora eléctrica podría dañarla y acortar su vida útil.

- En caso de dudas sobre su uso previsto, diríjase al distribuidor o comuníquese con un centro de servicio autorizado.
- NO opere unidades con piezas rotas o faltantes, o sin sus carcasas o cubiertas de protección.
- NO eluda ningún dispositivo de seguridad en la hidrolavadora eléctrica.
- NO modifique la hidrolavadora eléctrica de ninguna manera.
- NO mueva la hidrolavadora eléctrica tirando de las mangueras. Mueva la unidad utilizando la manija de transporte suministrada.
- Utilice SOLO accesorios de marca destinados para su uso con este producto.

## Montaje

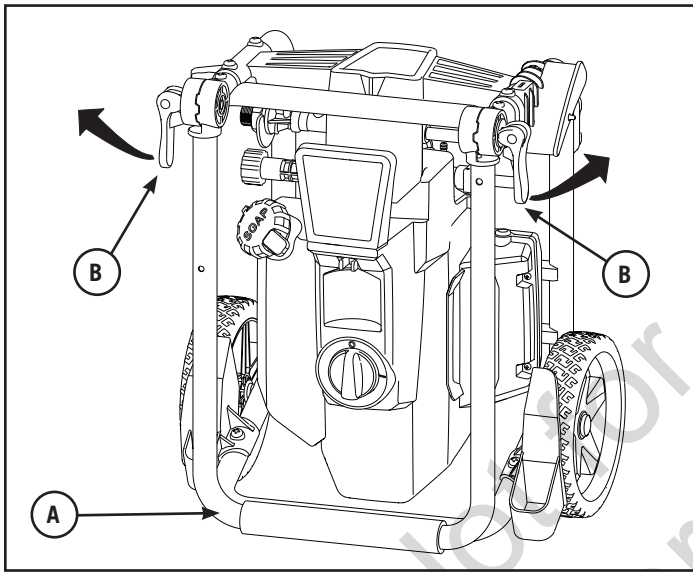


Lea todo el manual del operador antes de montar o utilizar su nueva hidrolavadora eléctrica.

Su hidrolavadora eléctrica requiere cierto montaje, pero está rápidamente lista para su uso. Si tiene algún problema con el montaje de su hidrolavadora eléctrica, llame a la línea directa para hidrolavadoras eléctricas al **(888) 331-4569**. Si necesita ayuda, tenga a mano el modelo, la revisión y el número de serie que figuran en la etiqueta de identificación.

### Desembale la hidrolavadora eléctrica

1. Extraiga todos los elementos de la caja de cartón.
2. Levante la manija (A) a la posición vertical mirando hacia arriba del pestillo en cada lado de la manija. Empuje los pestillos (B) hacia abajo para asegurar el mango en su lugar.



**AVISO** Esta lavadora eléctrica de alta presión está equipada con un manija plegable. El manija puede ser plegado abajo para el almacenamiento. Consulte la sección *Procedimientos de almacenamiento finales*.

3. Asegúrese de que tiene todos los elementos incluidos antes del montaje.

### Elementos incluidos en la caja de cartón

- Unidad principal
- Manual del operador
- Pistola de pulverización
- Manguera de alta presión
- Boquilla 7-en-1
- Varilla de rociado
- Boquilla de alta presión de color rojo

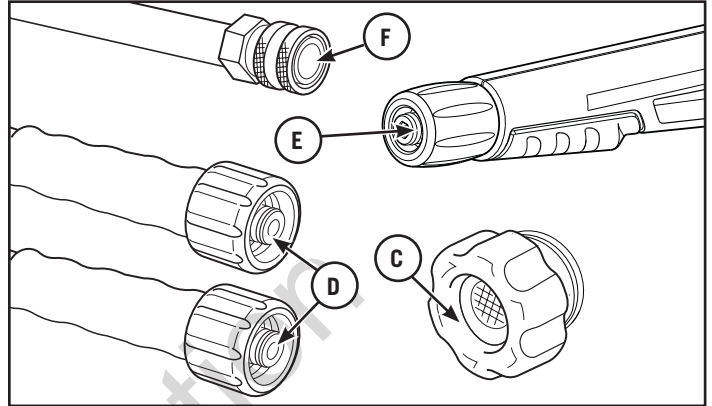
Compruebe todos los artículos. Si falta alguna pieza o está dañada, llame a la línea directa para hidrolavadoras eléctricas al **(888) 331-4569**.

Familiarícese con cada componente antes de montar la hidrolavadora eléctrica. Identifique los contenidos con la ilustración que se muestra en la sección *Características y controles*.

## Lubrique las juntas tóricas

La lubricación de las juntas tóricas es extremadamente importante para la instalación y el funcionamiento. El uso de un lubricante (grasa a base de petróleo o sintética) durante el montaje ayuda a que las juntas tóricas se asienten correctamente y proporciona un mejor sellado. También ayuda a proteger la junta tórica contra daños por abrasión, torsión o cortes y extiende su vida útil.

**AVISO SIEMPRE** aplique una pequeña cantidad de lubricante sobre las juntas tóricas antes de montar la manguera de jardín a la bomba (C), la manguera de alta presión (extremo de la pistola) (D), la extensión de la boquilla (E) y la pistola de pulverización (F).



**Lubrique todas las conexiones que se muestran a continuación, según estas instrucciones:**

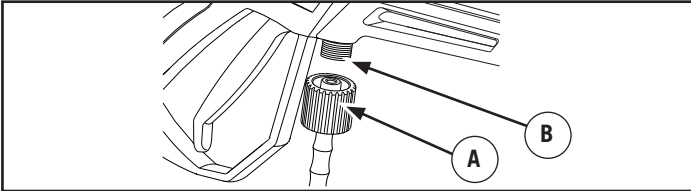
1. Inspeccione y limpie las superficies de conexión antes de la lubricación y el montaje.
2. Utilice lubricantes con moderación durante el montaje; solo se requiere una capa ligera.
3. Utilice un cepillo pequeño o hisopo de algodón para aplicar la grasa directamente en las juntas tóricas cuando no pueda acceder a ellas (adaptador QC, adaptador M22).

## Conecte las mangueras y el suministro de agua

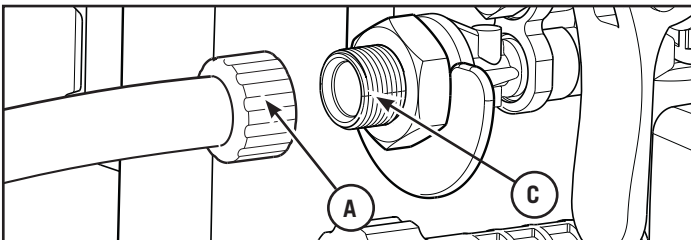
**AVISO** NO haga funcionar la bomba si no tiene el suministro conectado y abierto.

- El daño a la limpiadora a presión, resultado de la desatención a esta precaución, no será cubierto por la garantía.

- Desenrolle la manguera de alta presión y conecte el extremo negro la manguera de alta presión (A) a la base de la pistola rociadora (B). Apriete con la mano.



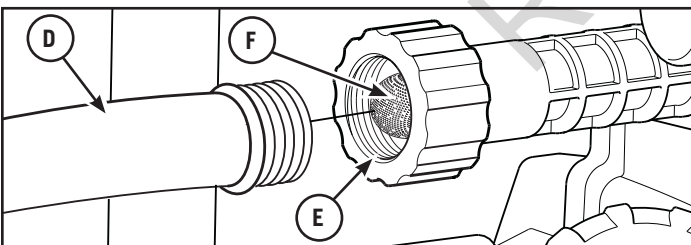
- Conecte el extremo azul de la manguera de alta presión (A) a la salida de alta presión (C) de la bomba. Apriete a mano.



- Haga correr el agua a través de la manguera de su jardín por 30 segundos para limpiar cualquier escombros que se encuentre en ella. Corte el agua.

**AVISO** Hace no agua de parar de siphon para el abastecimiento de agua. Use agua SOLO fría (menos que 38°C (100°F)).

- Antes de que conecte la manguera de jardín (D) a la entrada de agua (E), inspeccione el colador de la entrada (F). Limpie el colador si tiene residuos o solicite su remplazo si está dañado. NO haga funcionar la máquina limpiadora a presión si el colador de la entrada está dañado.



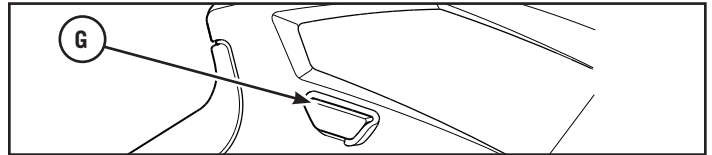
**AVISO** El uso de una válvula unidireccional (igualador de presión o válvula de retención) en la entrada de la bomba podría producir daños en la bomba o en el conector de entrada.

- DEBE haber un mínimo de 3 metros (10 pies) de manguera de riego libre entre la entrada de la limpiadora a presión y cualquier dispositivo, como un igualador de presión o una válvula de retención).
- El daño a la limpiadora a presión, resultado de la desatención a esta precaución, no será cubierto por la garantía.

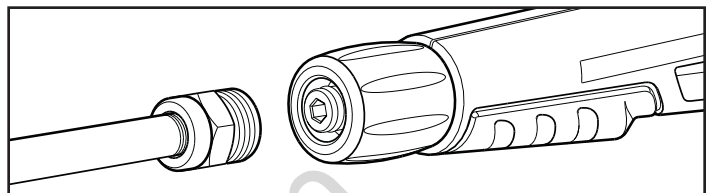
- Conecte la manguera de jardín (D) (no exceder 15 metros (50 pies) en la longitud) a la entrada del agua (E). Apriete con la mano.

## Conecte varilla de rociado y la boquilla 7-en-1

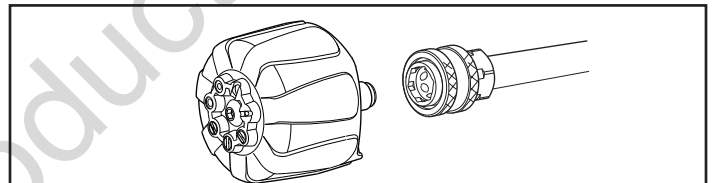
- Abra el agua, apunte con la pistola hacia una dirección segura, presione el botón de bloqueo del gatillo (G), a continuación, apriete el gatillo para eliminar el aire y las impurezas del sistema de bombeo y la pistola de pulverización.



- Conecte varilla de rociado y la pistola de pulverización. Ajuste a mano.



- Tire del anillo de la varilla de rociado, inserte la boquilla 7-en-1 y libere el anillo. Tire de la boquilla 7-en-1 para comprobar que esté bien montada. Consulte la sección *Cómo usar las boquillas*.



## Lista de verificación previa al arranque del motor de la bomba

Revise el montaje de la unidad para asegurarse de que haya realizado todas las siguientes acciones.

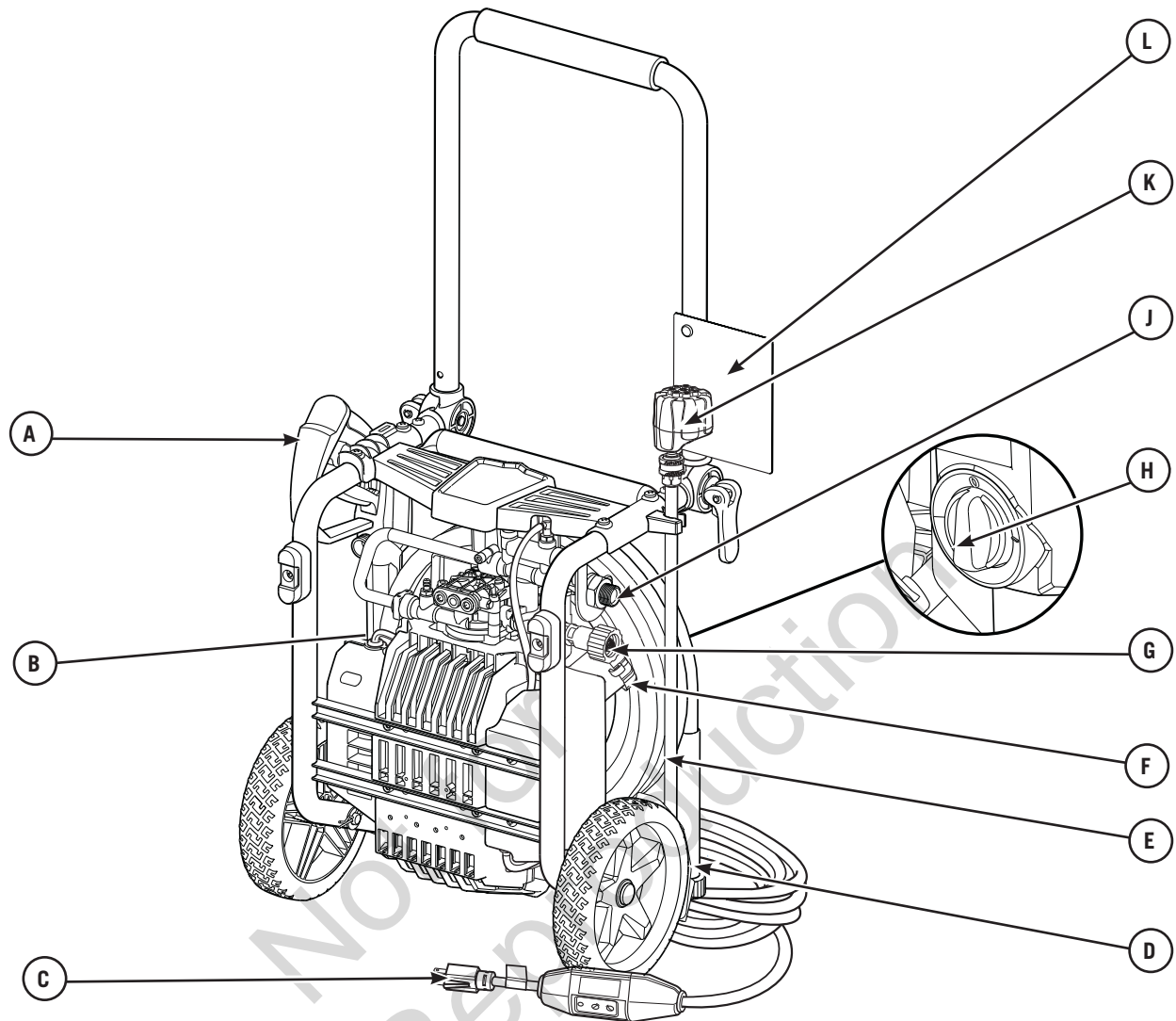
- Asegúrese de leer *Seguridad del usuario* y *Funcionamiento* antes de usar la hidrolavadora eléctrica.
- Compruebe que las conexiones de manguera estén correctamente apretadas.
- Asegúrese de que las mangueras no tengan nudos, cortes ni daños.
- Coloque un suministro de agua adecuado con el flujo correcto.
- Enchufe el cable de alimentación eléctrica a un circuito eléctrico dedicado para 120 V CA a 15 A que haya sido instalado conforme a todos los códigos y normativas locales. Compruebe que el circuito no se use para ningún otro suministro eléctrico.

## Características y controles



Lea este Manual del operador y las reglas de seguridad antes de operar la hidrolavadora eléctrica.

Compare las ilustraciones con su hidrolavadora eléctrica para familiarizarse con las ubicaciones de los diversos controles y ajustes. Guarde este manual original para futuras consultas.



**A - Pistola de pulverización** — controla la aplicación de agua sobre la superficie de limpieza con el gatillo. Incluye bloqueo del gatillo.

**B - Etiqueta de identificación** — proporciona el modelo y número de serie de la hidrolavadora. Si llama para solicitar ayuda, tenga estos datos a mano.

**C - Cable eléctrico con GFCI** — la hidrolavadora eléctrica y el operador están protegidos por un interruptor de circuito por fallos con conexión a tierra (GFCI).

**D - Manguera de alta presión** — conecte un extremo a la toma de agua a alta presión y el otro extremo a la pistola de pulverización.

**E - Varilla de rociado con conexión rápida** — le permite cambiar entre la boquilla 7-en-1 y los accesorios opcionales.

**F - Depósito de detergente** — se utiliza para almacenar hasta 1,2 l (40 onzas) líquidas de detergente para hidrolavadoras.

**G - Entrada de suministro de agua** — conecte al suministro de agua a una manguera de jardín de un máximo de 15,24 m - (50 pies) de largo.

**H - Interruptor principal de encendido/apagado** — presione la parte superior del interruptor (I) para encender la hidrolavadora. Presione la parte inferior del interruptor a (O) para apagar la hidrolavadora.

**J - Toma de alta presión** — conexión para la manguera de alta presión.

**K - Boquilla 7-en-1** — contiene siete boquillas con patrones de pulverización diferentes para diversas aplicaciones.

**L - Etiqueta de advertencia** — identifica los riesgos que deben evitarse al usar la hidrolavadora.

# Operación

## Cómo arrancar su hidrolavadora eléctrica

Siga las instrucciones a continuación en el orden que se presentan. Si tiene algún problema con la operación de su hidrolavadora eléctrica, llame a la línea directa para hidrolavadoras eléctricas al **(888) 331-4569**.

**⚠ ADVERTENCIA** Riesgo de lesiones oculares. La pulverización podría salpicar o propulsar objetos, lo que puede provocar lesiones graves. Siempre use gafas de seguridad con ventilación indirecta (salpicaduras de productos químicos) identificadas en cumplimiento de la norma ANSI Z87.1 cuando utilice este equipo o esté cerca de él. **NUNCA** sustituya las gafas de seguridad con ventilación indirecta con gafas de seguridad o gafas de condición seca.

1. Coloque la hidrolavadora eléctrica cerca de una fuente de agua exterior capaz de abastecer agua a un caudal mayor de 5,0 galones por minuto (11,4 l) y 25-75 psi (1,72-5.17 bar) en el extremo de la hidrolavadora eléctrica de la manguera de jardín. **NO** desvíe el agua de alimentación.
2. Conecte la manguera de jardín a la entrada de agua.
3. Compruebe que la manguera de alta presión se encuentre conectada firmemente a la pistola de pulverización y a la toma de alta presión. Consulte la sección *Montaje*.

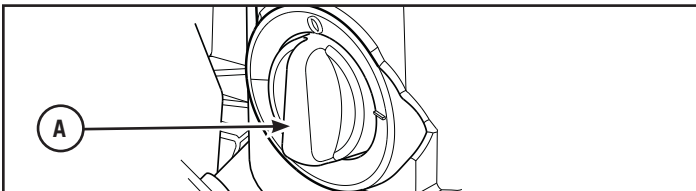
**AVISO** Si las conexiones de las mangueras comienzan a tener fugas durante el uso, apague la unidad según se describe en los pasos 1 a 5 de la sección *Cómo detener su hidrolavadora eléctrica*. Retire la manguera por completo y vuelva a instalarla ajustándola a mano. Si no retira completamente la manguera, podría dañar la junta tórica y causar que la conexión de la manguera continúe con fugas. Si el anillo de goma se daña, reemplace.

**AVISO** NO haga funcionar la bomba si no tiene el suministro de agua conectado y abierto.

- La garantía quedará anulada si se producen daños en el equipo por incumplimiento de estas instrucciones.
4. Abra el agua, apunte con la pistola hacia una dirección segura, presione el botón de bloqueo del gatillo y apriete el gatillo para eliminar el aire del sistema de bombeo.
  5. Instale la extensión de la boquilla y la boquilla 7-en-1 en la pistola de pulverización. Consulte la sección *Montaje*.

**AVISO** El hidrolavadora eléctrica a presión se puede utilizar en posiciones verticales u horizontales.

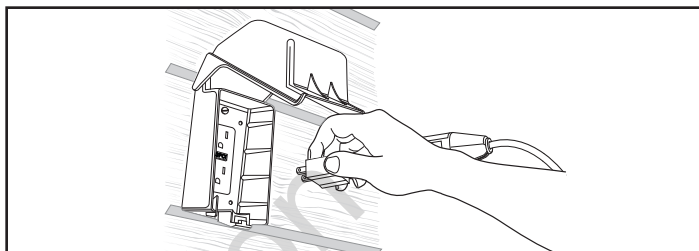
6. Presione el interruptor principal de encendido/apagado **(A)** en la posición de apagado (O).



**⚠ ADVERTENCIA** Riesgo de electrocución. El uso de un cable de prolongación podría ocasionar descarga eléctrica o quemaduras que pueden provocar lesiones graves o la muerte.

- **NO** use un cable de prolongación con esta hidrolavadora eléctrica. Es posible que el cable de prolongación o el enchufe del circuito eléctrico de su casa no proporcione la protección del interruptor de circuito por fallos con conexión a tierra que resguarda la vida de las personas.

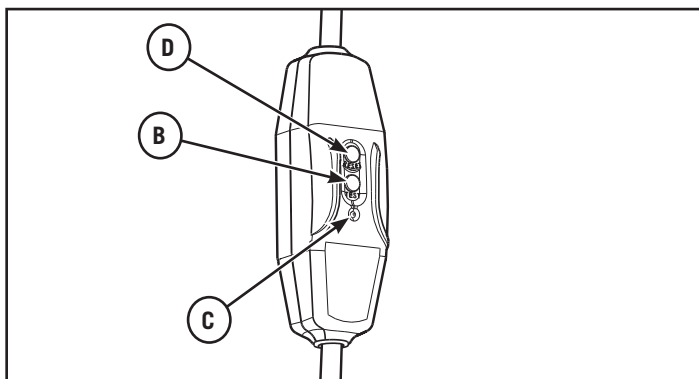
7. Conecte el cable de alimentación eléctrica a un circuito eléctrico específico clasificado para 120 voltios de CA a 15 amperios instalado adecuadamente de acuerdo con todos los códigos y las ordenanzas locales. El circuito no debe suministrar electricidad a ninguna otra necesidad eléctrica. La luz indicadora en el GFCI debe estar encendida.



**AVISO** La luz indicadora debe estar encendida para que la hidrolavadora eléctrica opere.

**⚠ ADVERTENCIA** Riesgo de electrocución. Un interruptor de circuito por fallos con conexión a tierra (GFCI) que no funcione podría provocar la muerte o lesiones corporales. Si la luz indicadora no queda encendida después de la prueba y el reinicio, no use el GFCI.

8. Presione el botón TEST (PRUEBA) **(B)**. La luz indicadora **(C)** debe estar apagada.



9. Presione el botón RESET (REINICIO) **(D)**. La luz indicadora **(C)** debe estar encendida.

**AVISO** NO utilice la hidrolavadora eléctrica si la prueba anterior falla.

10. Presione el interruptor principal de encendido/apagado a la posición de encendido (I).
11. Apunte la pistola hacia una dirección segura, presione el botón de bloqueo del gatillo y apriete el gatillo.

El motor de la hidrolavadora eléctrica arrancará y se detendrá conforme el gatillo de la pistola de pulverización se oprime y se libera.

La hidrolavadora eléctrica ya está lista para su uso. Las instrucciones para el uso de los accesorios suministrados se ofrecen más adelante en esta sección.

### Cómo detener su hidrolavadora eléctrica

El motor de la hidrolavadora eléctrica funciona solo cuando se activa el gatillo. Para detener la hidrolavadora eléctrica y apagar el motor:

1. Suelte el gatillo de la pistola de pulverización.
2. Presione el interruptor principal de encendido/apagado a la posición de apagado (0).

**AVISO** Al soltar el gatillo se apaga el motor, pero no se interrumpe el suministro eléctrico a la unidad.

3. Cierre el suministro de agua.



**ADVERTENCIA** El chorro de agua a alta presión que este equipo produce podría atravesar la piel y los tejidos subcutáneos, y provocar lesiones graves y posible amputación.

La pistola de pulverización acumula agua a alta presión, incluso con el motor detenido y el agua desconectada, lo que puede provocar lesiones graves.

- Mantenga la manguera de alta presión conectada a la bomba y a la pistola de pulverización cuando el sistema esté presurizado.
- SIEMPRE apunte con la pistola de pulverización hacia una dirección segura y apriete el gatillo de la pistola para liberar la alta presión, cada vez que apague la hidrolavadora.

4. SIEMPRE apunte con la pistola de pulverización hacia una dirección segura, oprima el botón de bloqueo del gatillo y apriete el gatillo para aliviar la presión acumulada en la unidad.
5. Desconecte el enchufe de GFCI de la toma de corriente.

### Cómo usar las boquillas

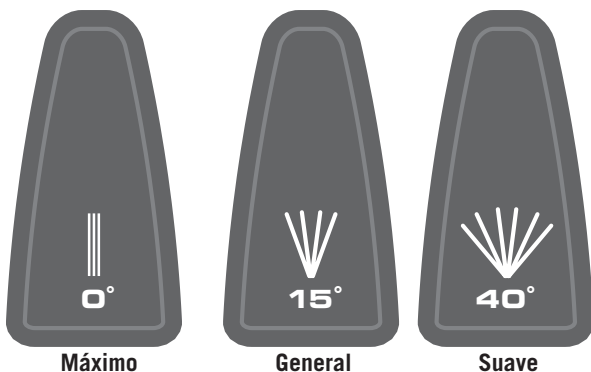
#### Boquilla 7-en-1

La boquilla 7-en-1 le permite cambiar entre siete boquillas con patrones de pulverización diferentes. Suelte el gatillo de la pistola de pulverización para activar el bloqueo de seguridad antes de cambiar los patrones de pulverización. Hay diferentes patrones de pulverización, tal como se muestra a continuación.

#### 1. Seleccione el patrón de pulverización deseado:

- Seleccione el ajuste máximo de boquilla de 0° para superficies rebeldes o de difícil acceso, como en superficies de plantas altas o para eliminar pintura, manchas de aceite, óxido u otras sustancias resistentes (alquitrán, resina, grasa, cera, etc.).
- Seleccione el ajuste general de boquilla de 15° para tareas de limpieza más difíciles. Es ideal para eliminar la grasa y la suciedad de superficies duras. También es capaz de retirar pintura cuando se mantiene en un ángulo de 45°.
- Seleccione el ajuste suave de boquilla de 40° para una limpieza suave de automóviles/camiones, barcos, vehículos recreativos, muebles de jardín, cortadoras de césped, etc.
- Seleccione el ajuste de boquilla de pulverización en abanico para obtener un alto flujo, óptimo para la limpieza general de suciedad y residuos.
- Seleccione el ajuste de boquilla de pulverización en abanico con jabón para la limpieza de superficies delicadas de automóviles, camiones, juegos para niños, muebles de jardín, etc.
- Seleccione el ajuste de boquilla de alcance extendido para obtener un alto flujo rápido y largo alcance para la limpieza de laterales y ventanas de plantas altas.
- Seleccione el ajuste de boquilla de alcance extendido con jabón para aplicar jabón a laterales y ventanas de plantas altas.

#### Modo de alta presión

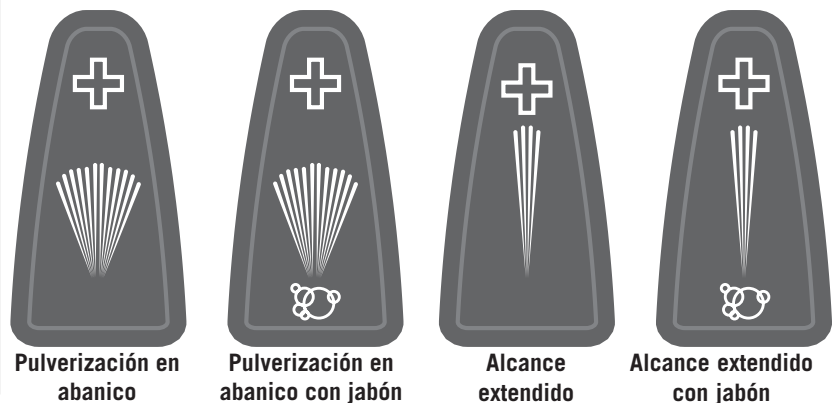


Máximo

General

Suave

#### Modo de alto flujo



Pulverización en abanico

Pulverización en abanico con jabón

Alcance extendido

Alcance extendido con jabón



2. Gire el dial hasta que el patrón de pulverización deseado quede alineado con la flecha en la boquilla 7-en-1.

### Boquilla de alta presión de color rojo


La boquilla de alta presión de color rojo le brinda una limpieza de máxima potencia al producir la más alta presión.

#### Consejos de uso

- Para una limpieza más efectiva, mantenga la boquilla de 8 a 24 pulgadas de distancia de la superficie de limpieza.
- Si la aproxima demasiado, especialmente con una boquilla de patrón de pulverización de alta presión, podría dañar la superficie de limpieza.
- No coloque la boquilla a menos de 15 cm (6 pulgadas) de distancia cuando esté limpiando neumáticos.

### Aplicación del detergente

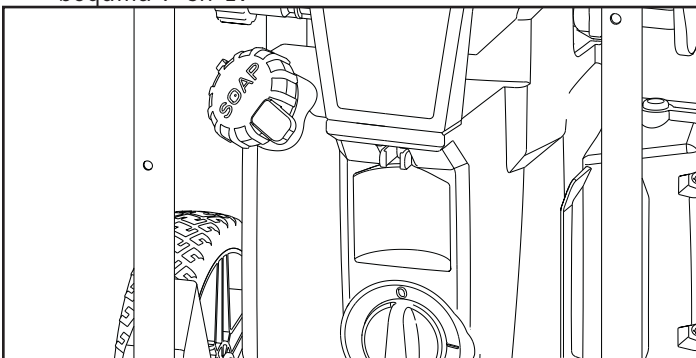
**⚠ ADVERTENCIA** Peligro de quemaduras químicas. Los productos químicos podrían ocasionar quemaduras que pueden provocar la muerte o lesiones graves.



- Siempre use gafas de seguridad con ventilación indirecta (salpicaduras de productos químicos) identificadas en cumplimiento de la norma ANSI Z87.1 cuando utilice ese tipo de productos.
- NO sustituya las gafas de seguridad con ventilación indirecta con gafas de seguridad o gafas de condición seca.
- NO use líquido cáustico con la hidrolavadora eléctrica.
- Utilice SOLAMENTE detergentes o jabones de uso seguro en hidrolavadoras. Siga todas las instrucciones del fabricante.

#### Para aplicar el detergente, siga estos pasos:

1. Revise el uso de boquillas que se muestra en la sección *Cómo usar las boquillas*.
2. Prepare la solución de detergente según las instrucciones en función de la tarea que va a realizar.
3. Retire la tapa del depósito de detergente y llénelo con solución de detergente. Vuelva a colocar la tapa.
4. Asegúrese de que una de las boquillas de patrón de pulverización con jabón está seleccionada en la boquilla 7-en-1.



**AVISO** No se puede aplicar detergente con boquillas de alta presión (de color rojo, máxima, general, delicada, pulverización en abanico o de alcance extendido).

5. Asegúrese de que la manguera de jardín esté conectada a la entrada de agua y la manguera de alta presión esté conectada a la pistola de pulverización y la toma de alta presión. Abra el agua.
6. Arranque la hidrolavadora según se indica en la sección *Cómo arrancar su hidrolavadora eléctrica*.
7. Aplique el detergente sobre la superficie seca, comenzando en la parte inferior del área y dirigiéndose hacia arriba con movimientos superpuestos, largos y uniformes.


**AVISO** La alimentación de agua a alta presión podría no permitir que el detergente fluya. Consulte *Solución de problemas*.

8. Permita que el detergente “penetre” durante 3 a 5 minutos antes de lavar y enjuagar. Vuelva a aplicarlo cuando sea necesario para evitar que la superficie se seque. Para evitar las manchas, no permita que el detergente se seque sobre la superficie.

### Enjuague con hidrolavadora eléctrica

1. Seleccione la boquilla de alta presión deseada según las instrucciones de la sección *Cómo usar las boquillas*.
2. Mantenga la pistola de pulverización a una distancia segura del área que planea pulverizar.

**⚠ ADVERTENCIA** Riesgo de contragolpe. La pistola de pulverización podría causar un contragolpe, con riesgo de caída que podría provocar la muerte o lesiones graves.



- Opere la hidrolavadora eléctrica desde una superficie estable.
- Sea extremadamente cuidadoso si debe usar la hidrolavadora eléctrica desde una escalera, un andamio u otro lugar similar.
- Sujete firmemente la pistola de pulverización con ambas manos al utilizar modos de pulverización eléctrica para evitar lesiones en caso de contragolpe de la pistola.

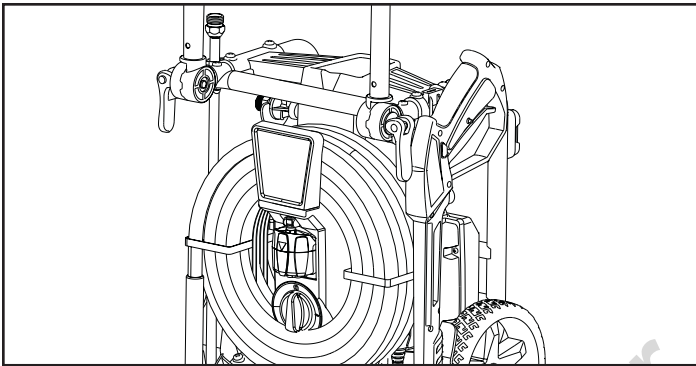
3. Aplique una pulverización a alta presión en un área pequeña y luego revise si la superficie presenta daños. Si no encuentra ningún daño, puede suponerse que se puede continuar con el enjuague.
4. Comience en la parte superior del área que va a enjuagar y diríjase hacia abajo con los mismos movimientos superpuestos que utilizó para la limpieza.

## Otros consejos de limpieza

- NUNCA deje la hidrolavadora eléctrica desatendida mientras está enchufada a una toma de corriente y mientras el equipo está conectado al suministro de agua.
- Si tiene la boquilla demasiado lejos de la superficie de limpieza, la limpieza puede no ser tan efectiva.

## Cómo almacenar los accesorios

La unidad está equipada con una bandeja de accesorios con lugares para almacenar la manguera de alta presión, la pistola de pulverización, la extensión de la boquilla, la boquilla 7-en-1 y el cable de alimentación. La boquilla de alta presión de color rojo se puede almacenar en la varilla de rociado. Identifique todos los accesorios con las ilustraciones en la sección *Características y controles*.



## Mantenimiento

### Recomendaciones generales

El mantenimiento periódico mejorará el rendimiento y prolongará la vida útil de la hidrolavadora eléctrica.

La garantía de la hidrolavadora eléctrica no cubre los elementos sujetos a un uso indebido o negligente por parte del operador. Para recibir el valor total de la garantía, el operador deberá mantener la hidrolavadora eléctrica tal como se indica en este manual, incluido su almacenamiento adecuado.

**AVISO** Si tiene preguntas acerca de cómo reemplazar los componentes en su hidrolavadora eléctrica, llame al **(888) 331-4569** para obtener ayuda.

**AVISO** Su hidrolavadora eléctrica fue diseñada y pensada para ser utilizada con componentes POWERflow+ ÚNICAMENTE. El uso de componentes que no están diseñados para POWERflow+ hará que su hidrolavadora no funcione de manera óptima.

### Antes de cada uso

1. Limpie los residuos.
2. Compruebe si hay residuos o daños en el filtro de la entrada de agua.
3. Compruebe que no haya fugas en la manguera de alta presión.
4. Compruebe la operación de la pistola de pulverización.

### Mantenimiento de la hidrolavadora eléctrica

#### Limpie los residuos

Limpie los residuos acumulados en la hidrolavadora eléctrica diariamente o antes de cada uso. Inspeccione las ranuras para aire de enfriamiento y las aberturas en la parte frontal, posterior e inferior de la hidrolavadora eléctrica. Las aberturas deben estar limpias y despejadas. Mantenga limpios los componentes de la hidrolavadora eléctrica para reducir el riesgo de sobrecalentamiento e ignición de los residuos acumulados.

- Use un paño húmedo para limpiar las superficies exteriores.

**AVISO** El tratamiento inadecuado de la hidrolavadora eléctrica puede dañarla y/o acortar su vida útil.


- NO inserte ningún objeto a través las ranuras de enfriamiento.

### Revise y limpie el filtro de entrada de agua

Examine el filtro en la entrada de agua de la unidad. Límpielo si está tapado o reemplácelo si está dañado.

### Compruebe la manguera de alta presión

La manguera de alta presión puede tener fugas debido al desgaste, estrangulamiento o uso indebido. Inspeccione la manguera antes de cada uso. Revise si hay cortes, fugas, abrasiones, levantamiento de la cubierta, daños o movimiento de los acoplamientos. Si se presenta alguna de estas condiciones, reemplace la manguera inmediatamente.

-  **ADVERTENCIA** El chorro de agua a alta presión que este equipo produce podría atravesar la piel y los tejidos subcutáneos, y provocar lesiones graves y posible amputación.
- NUNCA repare la manguera de alta presión. Reemplácela.
  - La capacidad de la manguera de reemplazo DEBE ser igual o superior a la presión nominal máxima de la unidad.

### Compruebe la pistola de pulverización

Examine la conexión de la manguera a la pistola de pulverización y asegúrese de que esté bien sujeta. Pruebe el gatillo presionando el botón de bloqueo del gatillo y asegurándose de que “vuelva” a su sitio cuando lo suelte. No debe ser posible oprimir el gatillo sin presionar el botón de bloqueo del gatillo. Reemplace la pistola de pulverización inmediatamente si falla cualquiera de estas pruebas.


### Mantenimiento de la boquilla

La presión excesiva en la bomba puede causar una sensación pulsante al momento de apretar el gatillo de la pistola de pulverización. La causa principal de la presión excesiva en la bomba es una boquilla obstruida o tapada con materiales extraños, tales como tierra, etc. Una boquilla obstruida podría provocar que la bomba alterne entre encendido/apagado o no encienda, incluso cuando hay cierto flujo.

Para corregir el problema, limpie inmediatamente la boquilla siguiendo estas instrucciones:

1. Presione el interruptor principal de encendido/apagado a la posición de apagado (0). Retire el enchufe del cable de alimentación de la toma de corriente.
2. Desconecte el suministro de agua a la hidrolavadora eléctrica.

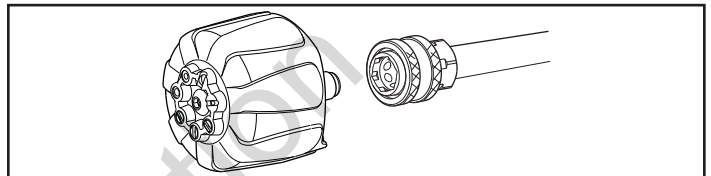
3. SIEMPRE apunte con la pistola de pulverización hacia una dirección segura, presione el botón de bloqueo del gatillo y apriete el gatillo de la pistola para liberar la alta presión de agua retenida.

 **ADVERTENCIA** El chorro de agua a alta presión que este equipo produce podría atravesar la piel y los tejidos subcutáneos, y provocar lesiones graves y posible amputación.

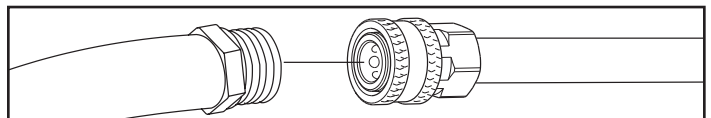
La pistola de pulverización acumula agua a alta presión, incluso con el motor detenido y el agua desconectada, lo que puede provocar lesiones graves.

- Mantenga la manguera de alta presión conectada a la bomba y a la pistola de pulverización cuando el sistema esté presurizado.
- SIEMPRE apunte con la pistola de pulverización hacia una dirección segura y apriete el gatillo de la pistola para liberar la alta presión, cada vez que apague la hidrolavadora.

4. Retire la boquilla 7-en-1 de la varilla de pulverización.



5. Utilice la herramienta de limpieza de boquilla proporcionada o un sujetapapeles pequeño para quitar cualquier material extraño que esté obstruyendo o tapando cualquiera de las boquillas.
6. Con una manguera de jardín, quite cualquier residuo adicional colocando agua en sentido contrario a través de la extensión de la boquilla. Permanezca así de 30 a 60 segundos.



7. Vuelva a instalar la boquilla 7-en-1 en varilla de pulverización.
8. Vuelva a conectar varilla de pulverización de la boquilla a la pistola de pulverización.
9. Asegúrese de que la manguera de jardín esté conectada a la entrada de agua. Compruebe que la manguera de alta presión esté conectada a la pistola de pulverización. Abra el agua.
10. Enchufe el cable de alimentación a la toma de corriente y presione el interruptor principal de encendido/apagado a la posición de encendido (I) de la hidrolavadora.
11. Pruebe la hidrolavadora eléctrica operando cada uno de los ajustes de la boquilla.

## Mantenimiento de la bomba y el motor

La hidrolavadora eléctrica no requiere ningún tipo de mantenimiento de la bomba o el motor. Ambos elementos están prelubricados y sellados, de modo que no requieren lubricación adicional en ningún momento.

### Después de cada uso

No debe quedar agua en la unidad durante largos períodos de tiempo. Los sedimentos o minerales pueden depositarse en partes de la bomba y “congelar” su funcionamiento. Siga estos procedimientos después de cada uso:

1. Para asegurar depósito de no drene durante el almacenamiento, haga funcionar la hidrolavadora eléctrica con una boquilla de pulverización con jabón hasta que el depósito está vacío.
2. Añada 0,5 litros de agua dulce limpia a depósito, haga funcionar la hidrolavadora eléctrica con una boquilla de pulverización con jabón. Enjuague durante uno o dos minutos.
3. Presione el interruptor principal de encendido/apagado a la posición de apagado (0). Retire el enchufe del cable de alimentación de la toma de corriente.
4. Cierre el suministro de agua. Apunte la pistola hacia una dirección segura, oprima el botón de bloqueo del gatillo y apriete el gatillo para aliviar la presión acumulada.
5. Desconecte la manguera de jardín de la entrada de agua. Desconecte la manguera de alta presión de la pistola y de la toma de alta presión.
6. Drene el agua de la manguera y la pistola de pulverización, a continuación, utilice un paño o algo similar para limpiar todas las superficies exteriores.
7. Drene el agua de la bomba inclinando la unidad hacia el lado derecho (entrada de agua en dirección hacia abajo) durante dos minutos. Dé vuelta la unidad y déjela reposar sobre la toma de alta presión durante otros dos minutos.
8. Enrolle la manguera de alta presión y el cable de alimentación en el gancho.
9. Guarde la pistola pulverizadora, la varilla de pulverización y la boquilla 7-en-1 en las áreas de almacenamiento proporcionadas. Guarde la boquilla roja de alta presión en el extremo de la varilla del rociador.
10. Almacene la unidad en un área limpia y seca.
11. Si planea almacenarla durante más de 30 días, consulte la sección *Almacenamiento en invierno o a largo plazo* en la página siguiente.

## Almacenamiento en invierno o a largo plazo

Siga los pasos 1-9 en *Después de cada uso*.

**AVISO** El agua que queda en la bomba podría congelarse y dañar la bomba en forma permanente. Los daños producidos por congelación no están cubiertos por la garantía.

### Cómo proteger la bomba

Para proteger la bomba de daños causados por depósitos de minerales o congelación, use PumpSaver, modelo 6039, para tratar la bomba. Esto evita los daños por congelación y lubrica el émbolo y los sellos.

**AVISO** PumpSaver está disponible como un accesorio opcional. No está incluido con la hidrolavadora eléctrica. Póngase en contacto con el centro de servicio autorizado más cercano para adquirir PumpSaver.

**AVISO** Debe proteger su unidad de las temperaturas de congelación.

- Si no lo hace, dañará permanentemente la bomba y la unidad no podrá funcionar.
- Los daños producidos por congelación no están cubiertos por la garantía.

Para utilizar PumpSaver, asegúrese de que la hidrolavadora eléctrica esté apagada y las mangueras de entrada y salida están desconectadas. Lea y siga todas las instrucciones y las advertencias que se ofrecen en el envase de PumpSaver.

### Procedimientos de almacenamiento finales

1. Enrolle la manguera de alta presión y el cable de alimentación en el gancho.
2. Almacene la pistola de pulverización y la varilla de pulverización en los soportes. Guarde las puntas de rociado en el soporte en la varilla de rociado.
3. Almacene la unidad en un área limpia y seca que esté protegida de las temperaturas de congelación. El manija puede ser plegado abajo para el almacenamiento. El hidrolavadora eléctrica a presión se puede utilizar en posiciones verticales u horizontales.
4. Cubra la unidad con una funda adecuada que no retenga la humedad.

# Solución de problemas

Problema	Causa	Solución
<p><b>La bomba presenta los siguientes problemas: no produce presión, produce presión errática, traqueteo, pérdida de presión, bajo volumen de agua.</b></p>	<ol style="list-style-type: none"> <li>1. La entrada de agua está bloqueada.</li> <li>2. El suministro de agua es inadecuado.</li> <li>3. La manguera de jardín presenta estrangulamiento o fugas.</li> <li>4. El filtro de entrada de agua está obstruido.</li> <li>5. La temperatura del suministro de agua es superior a 100 °F (38 °C).</li> <li>6. La manguera de alta presión está bloqueada o presenta fugas.</li> <li>7. La boquilla está obstruida.</li> <li>8. La bomba está defectuosa.</li> </ol>	<ol style="list-style-type: none"> <li>1. Limpie la entrada.</li> <li>2. Proporcione el flujo de agua adecuado.</li> <li>3. Estire la manguera de jardín o reemplácela si presenta fugas.</li> <li>4. Revise y limpie el filtro de entrada de agua.</li> <li>5. Proporcione un suministro de agua a una temperatura inferior.</li> <li>6. Retire las obstrucciones de la manguera de alta presión o reemplace la manguera.</li> <li>7. Limpie la boquilla de pulverización.</li> <li>8. Póngase en contacto con un centro de servicio autorizado.</li> </ol>
<p><b>La unidad no arranca cuando se aprieta el gatillo de la pistola de pulverización.</b></p>	<ol style="list-style-type: none"> <li>1. El suministro de agua no está abierto.</li> <li>2. La unidad no está encendida.</li> <li>3. La manguera de jardín es demasiado larga.</li> <li>4. Se fundió un fusible o se activó el disyuntor.</li> </ol>	<ol style="list-style-type: none"> <li>1. Abra el suministro de agua.</li> <li>2. Presione el interruptor principal de encendido/apagado a la posición de encendido (I). Reinicie el GFCI.</li> <li>3. Use solamente una manguera de jardín de un máximo de 15,24 m (50 pies) de largo.</li> <li>4. a.) Revise la caja de fusibles para verificar que no haya fusibles fundidos y, si fuera necesario, reemplácelos, o reinicie el disyuntor. No utilice un fusible o disyuntor con una calificación superior a la especificada para su circuito derivado específico. b.) Desconecte otros aparatos eléctricos y apague las luces en el circuito u opere la hidrolavadora en su propio circuito específico. c.) Haga funcionar la hidrolavadora en cualquier ajuste de la boquilla en modo de alto flujo de POWERflow+ (☞) durante 10 minutos. Puede ser necesario un descanso del motor.</li> </ol>
<p><b>El detergente no se mezcla con el material pulverizado.</b></p>	<ol style="list-style-type: none"> <li>1. Se seleccionó una boquilla de alta presión o de alto flujo sin jabón.</li> <li>2. Presión de alimentación de entrada de agua demasiado alta.</li> </ol>	<ol style="list-style-type: none"> <li>1. Seleccione un ajuste de boquilla de alto flujo con jabón (indicado con burbujas).</li> <li>2. Cierre lentamente la válvula de alimentación de agua hasta que el químico apenas empiece a fluir (aparecerán espuma de jabón cuando químico comienza a dibujar).</li> </ol>
<p><b>Fugas en las conexiones de las mangueras.</b></p>	<ol style="list-style-type: none"> <li>1. La manguera de jardín está floja en la entrada de agua.</li> <li>2. Las conexiones de la manguera de alta presión están flojas.</li> <li>3. La junta tórica está dañada.</li> </ol>	<ol style="list-style-type: none"> <li>1. Ajuste a mano la manguera de jardín a la entrada de agua.</li> <li>2. Retire la manguera por completo y vuelva a instalarla ajustándola a mano.</li> <li>3. Vuelva a colocar la junta tórica suministrada con la unidad.</li> </ol>

Para obtener ayuda con su producto, visite nuestro sitio web [Craftsman.com](http://Craftsman.com).

Español

es

## Especificaciones del producto

Presión máx. de salida . . . . .	138 BAR (2,000 PSI)* @ 4,1 liters/min (1,1 GPM)
Caudal máx. . . . .	13,25 liters/min (3,5 GPM)* @ 5,5 BAR (80 psi)
Mezcla de detergentes . . . . .	Consulte las instrucciones del fabricante del detergente
Temperatura del suministro de agua . . . . .	No debe exceder los 38° C (100 ° F)
Motor . . . . .	De tipo inducción
Tensión nominal . . . . .	120 voltios de CA
Corriente. . . . .	13,0 amperios

\* Esta hidrolavadora está clasificada de acuerdo a la norma PW101-2010 (Pruebas y valoración de rendimiento de hidrolavadoras) de la Asociación de Fabricantes de Hidrolavadoras (PWMA, Pressure Washer Manufacturers Association).

Not for  
Reproduction

## PÓLIZA DE GARANTÍA PARA CRAFTSMAN

### GARANTÍA LIMITADA

CRAFTSMAN® es una marca registrada de Stanley Black & Decker, Inc., usa abajo licencia bajo licencia de Briggs & Stratton. Briggs & Stratton garantiza que, durante el período de garantía especificado a continuación, reparará o reemplazará, sin cargo, cualquier pieza defectuosa en cuanto a material, mano de obra o ambos. Los gastos de transporte del producto sometido a reparación o cambio conforme a garantía estarán a cargo del comprador. Esta garantía se mantiene vigente durante los períodos de tiempo indicados a continuación y está sujeta a dichos períodos y a las condiciones presentadas a continuación. Para obtener servicio conforme a la garantía, localice al distribuidor de servicio autorizado más cercano en nuestro mapa de localización de distribuidores en BRIGGSandSTRATTON.COM. El comprador debe ponerse en contacto con el distribuidor de servicio autorizado y entregarle el producto para la inspección y prueba.

**No existe ninguna otra garantía explícita. Las garantías implícitas, incluidas las de comerciabilidad y aptitud para una finalidad específica, están limitadas al período de garantía mencionado a continuación, en la medida que lo permita la ley. La responsabilidad por daños fortuitos o consecuentes queda excluida en la medida que dicha exclusión esté permitida por ley.** Algunos estados o países no permiten limitaciones en cuanto a la duración de una garantía implícita, y algunos estados o países no permiten la exclusión o limitación de daños consecuentes o incidentales, en cuyo caso la limitación y la exclusión anteriores pueden no ser aplicables a usted. Esta garantía le otorga determinados derechos legales y es posible que tenga otros derechos que pueden variar de un país o estado a otro.\*\*

### PERÍODO DE GARANTÍA

Uso Privado	Uso Comercial
24 meses	Ninguna

\*\* En Australia – Nuestros productos vienen con garantías que no pueden excluirse bajo la Ley Australiana del Consumidor. Usted tiene derecho a una sustitución o a un reembolso por una avería importante y a compensación por cualquier otra pérdida o daño razonablemente previsible. También tiene derecho a una reparación o sustitución de productos si estos no son de una calidad aceptable y la avería no constituye una avería seria. Para obtener servicio de garantía, localice al distribuidor de servicio autorizado más cercano en nuestro mapa de localización de distribuidores en BRIGGSandSTRATTON.COM, o llame al 1300 274 447, o envíe un correo electrónico a salesenquires@briggsandstratton.com.au, o escriba a Briggs & Stratton Australia Pty Ltd, 1 Moorebank Avenue, NSW, Australia, 2170.

El período de garantía comienza a partir de la fecha de compra por el primer cliente de venta minorista o comercial. "Uso privado" significa uso doméstico residencial personal por un consumidor minorista. "Uso comercial" significa todos los demás usos, como el uso para fines comerciales, de producción de ingresos o de alquiler. Una vez que el producto haya experimentado uso comercial, será considerado en adelante como producto de uso comercial para fines de esta garantía. Guarde su recibo de compra. Si no proporciona un comprobante de la fecha de compra inicial al solicitar el servicio de garantía, se tomará la fecha de fabricación del producto para determinar el período de garantía. No se requiere el registro de producto para obtener servicio de garantía en los productos de Briggs & Stratton.

### ACERCA DE SU GARANTÍA

El servicio de garantía solo está disponible a través de los distribuidores de servicio autorizados de Briggs & Stratton. Esta garantía solamente cubre defectos de material y mano de obra. No cubre daños causados por uso inadecuado o maltrato, mantenimiento o reparación no apropiada, desgaste normal o combustible caducado o no aprobado.

**Uso inadecuado y maltrato** – El uso adecuado, para el cual está diseñado este producto, se describe en el Manual del operador. Usar el producto de una manera no descrita en el Manual del operador o usar el producto después de haber sido dañado anulará su garantía. No se otorgará cobertura de garantía si se ha retirado el número de serie del producto o si éste ha sido alterado o modificado de cualquier manera, o si el producto tiene evidencia de maltrato, como daño por impacto o daño por corrosión por agua o química.

**Mantenimiento o reparación no apropiada** – Este producto debe recibir mantenimiento según los procedimientos y cronogramas provistos en el Manual del operador, y se le debe dar servicio o reparar utilizando partes Briggs & Stratton genuinas. El daño causado por falta de mantenimiento o por el uso de partes no originales no está cubierto por la garantía.

**Desgaste normal** – Como la mayoría de los dispositivos mecánicos, su unidad está sujeta a desgaste incluso cuando recibe mantenimiento apropiado. Esta garantía no cubre reparaciones cuando el uso normal ha agotado la vida útil de una pieza o del equipo. El mantenimiento y desgaste de piezas tales como filtros, correas, cuchillas de corte y zapatas de freno (excepto las zapatas de freno del motor) no están cubiertas por la garantía en lo referente al desgaste en sí mismo, a menos que la causa se deba a defectos de materiales o mano de obra.

**Combustible descompuesto o no aprobado** – Para funcionar correctamente, este producto requiere el uso de combustible fresco que cumpla con los criterios especificados en el Manual del Operario. Cualquier daño causado al motor o al equipo debido al uso de combustible descompuesto o no aprobado (como las mezclas de etanol E85 o E15) no estará cubierto por la garantía.

**Otras exclusiones** – Esta garantía no cubre los daños debidos a accidente, maltrato, modificaciones, alteraciones, mantenimiento inadecuado, congelación o deterioro químico. Los accesorios que no viniesen en el paquete original del producto también se excluyen. La garantía no cubre el uso de equipo como fuente de alimentación principal en lugar de una toma de corriente habitual o en equipo utilizado en aplicaciones de soporte vital. Esta garantía no incluye equipos o motores usados, reacondicionados, de segunda mano o de demostración. Esta garantía además excluye las fallas por casos fortuitos y otros casos de fuerza mayor que el fabricante no puede controlar.

80078402\_ES Rev A

Español

es

# CRAFTSMAN®

**Electric Pressure Washer**

**CMXGWA5020727**

**Hidrolavadora eléctrica**

Not for  
Reproduction

**WWW.CRAFTSMAN.COM**

**1-888-331-4569**

CRAFTSMAN® is a registered trademark of Stanley Black & Decker, Inc., used under license.  
CRAFTSMAN® es una marca registrada de Stanley Black & Decker, Inc., usa abajo licencia.

**Briggs & Stratton Corporation**  
**Milwaukee, Wisconsin, 53201-0702 U.S.A.**